



Client

Date

Qty

Project

Type

PO#

## LS-ARCH-EXT-120V.240V-R



### Description

- Assemblage robuste en aluminium
- Forme ronde
- Ajustements multiples
- 120VCA-240VCA
- Puissance de 20W, 40W & 45W
- CCT: 2700K, 3000K, 3500K, 4000K, 5000K or RGBW
- Contrôle DMX512, 0-10V
- Angle d'ouverture au choix: 5° to 60°, 10°x10°
- Projection précise
- Protection IP66





Client

Date

Qty

Project

Type

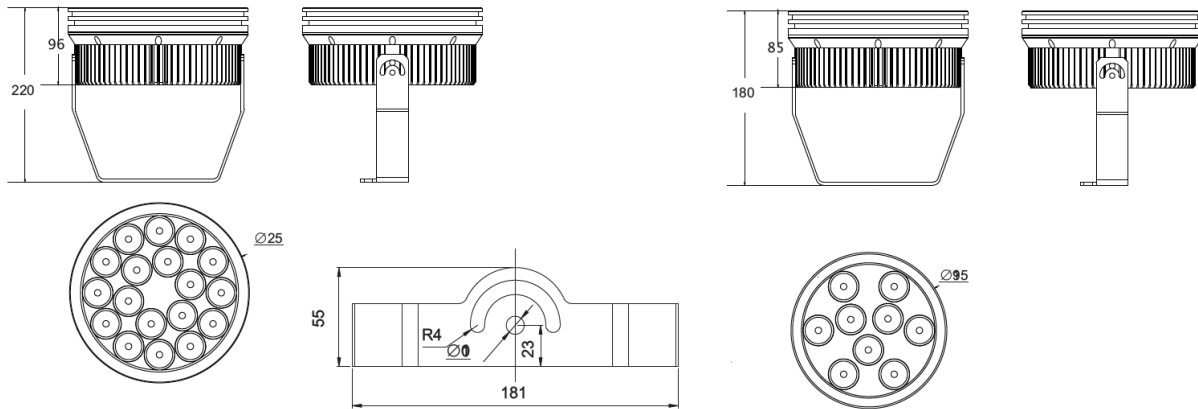
PO#

## LS-ARCH-EXT-120V.240V-R

Model	Protection	Power	CCT	Lumens	LED QTY	Input voltage	Beam angle	Dimensions
LS-ARCH-EXT-120V.240V-R-195MM-20W-2.7K	IP66	20W	2700K	3077	9	120V/240V	5° to 60°, 10°x10°	See drawing
LS-ARCH-EXT-120V.240V-R-195MM-20W-3K	IP66	20W	3000K	3077	9	120V/240V	5° to 60°, 10°x10°	See drawing
LS-ARCH-EXT-120V.240V-R-195MM-20W-3.5K	IP66	20W	3500K	3077	9	120V/240V	5° to 60°, 10°x10°	See drawing
LS-ARCH-EXT-120V.240V-R-195MM-20W-4K	IP66	20W	4000K	3077	9	120V/240V	5° to 60°, 10°x10°	See drawing
LS-ARCH-EXT-120V.240V-R-195MM-20W-5K	IP66	20W	5000K	3077	9	120V/240V	5° to 60°, 10°x10°	See drawing
LS-ARCH-EXT-120V.240V-R-195MM-20W-RGBW	IP66	20W	RGBW	1740	9	120V/240V	5° to 60°, 10°x10°	See drawing

Model	Protection	Power	CCT	Lumens	LED QTY	Voltage	Beam angle	Dimensions
LS-ARCH-EXT-120V.240V-R-225MM-40W-2.7K	IP66	40W	2700K	5518	18	120V/240V	5° to 60°, 10°x10°	See drawing
LS-ARCH-EXT-120V.240V-R-225MM-40W-3K	IP66	40W	3000K	5518	18	120V/240V	5° to 60°, 10°x10°	See drawing
LS-ARCH-EXT-120V.240V-R-225MM-40W-3.5K	IP66	40W	3500K	5518	18	120V/240V	5° to 60°, 10°x10°	See drawing
LS-ARCH-EXT-120V.240V-R-225MM-40W-4K	IP66	40W	4000K	5518	18	120V/240V	5° to 60°, 10°x10°	See drawing
LS-ARCH-EXT-120V.240V-R-225MM-40W-5K	IP66	40W	5000K	5518	18	120V/240V	5° to 60°, 10°x10°	See drawing
LS-ARCH-EXT-120V.240V-R-225MM-45W-RGBW	IP66	45W	RGBW	2464	18	120V/240V	5° to 60°, 10°x10°	See drawing

### Dimensions



### Installation



DMX 512 CONTROLLER



RGBW SPOTS