



Client Date Qté
 Projet Type BC#

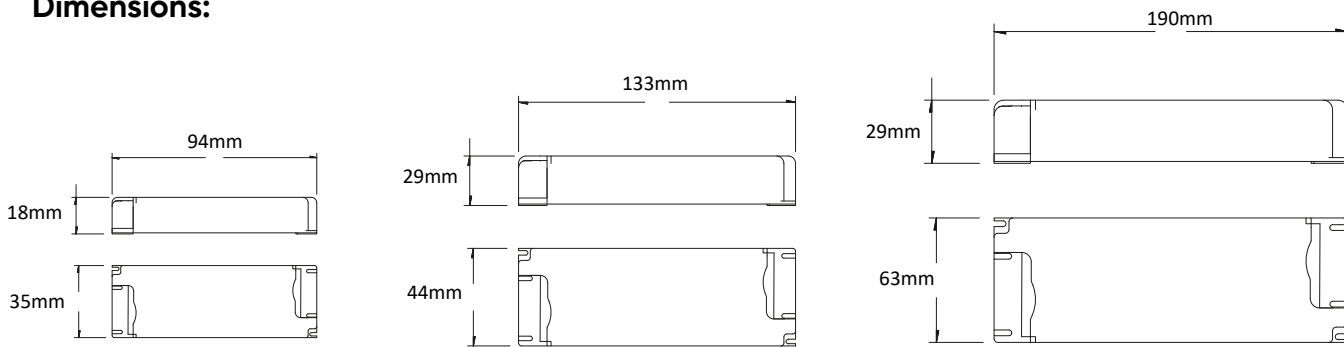
LS-PSU12V-DIM-12W LS-PSU-12V-DIM-40W LS-PSU-12V-DIM-80W



Description:

- Certifié ETL Canada et USA.)
- Classe 2
- Gradable TRIAC 5%-100%
- Haute résistance à la chaleur
- Protection intelligente contre surtension
- Fonctionne dans des températures de -30°C à 45°C
- Incluant câble de branchement 120VAC
- Protection contre les inversions
- Garantie 5 ANS

Dimensions:



LS-PSU-12V-DIM-12W

LS-PSU-12V-DIM-40W

LS-PSU-12V-DIM-80W

Tableau de commande:

| Modèle | Protection IP | Puissance | Voltage d'entrée | Voltage de sortie | Dimensions |
|--------------------|---------------|-----------|------------------|-------------------|-----------------|
| LS-PSU-12V-DIM-12W | IP20 | 12W | 120VAC | 12VDC | 94mm*35mm*18mm |
| LS-PSU-12V-DIM-40W | IP20 | 40W | 120VAC | 12VDC | 133mm*44mm*29mm |
| LS-PSU-12V-DIM-80W | IP20 | 80W | 120VAC | 12VDC | 190mm*63mm*29mm |



Client Date Qté
 Projet Type BC#

LS-PSU12V-DIM-12W LS-PSU-12V-DIM-40W LS-PSU-12V-DIM-80



Specifications:

| | | |
|-------------|--|---|
| Protection | Short Circuit | Intermittent restart mode, after the exception can be automatically restored |
| | Over Current | Hiccup mode, after the removal of abnormal flow can be automatically restored |
| Environment | Working TEMP. | -30~+45°C |
| | Working Humidity | 5~95%RH |
| | Storage TEMP. Humidity | -40~+70°C, 5~95%RH |
| | TEMP .coefficient | ±0.03%/°C (0~50°C) |
| | Vibration | 5-55Hz/2g,30 Mimute |
| Safety& EMC | Safety standards | EN60598 |
| | Withstand voltage | I/P-O/P:3KVAC IP-FG:1.88KVAC O/P-FG:0.5KVAC |
| | Isolation resistance | I/P-O/P I/P-FG O/P-FG:100MΩ/500VDC/25°C/70%RH |
| | EMC EMISSION | EN55022,EN55015 Class B |
| Notes | <p>1. All parameters if NOT specially mentioned are measured at 120VAC input , rated load and 25°Cof ambient temperature.</p> <p>2. To extend the driver's using life ,please reduce the loading at lower input voltage.</p> | |



| | | | | | |
|--------|----------------------|------|----------------------|-----|----------------------|
| Client | <input type="text"/> | Date | <input type="text"/> | Qté | <input type="text"/> |
| Projet | <input type="text"/> | Type | <input type="text"/> | BC# | <input type="text"/> |

LS-PSU12V-DIM-12W LS-PSU-12V-DIM-40W LS-PSU-12V-DIM-80

Dimming Operation

✘The Pulse-Width Modulation (PWM) of output voltage can be adjusted through input terminal of the AC phase line(L) by connection a triac dimmer.

✘Usually matching with leading edge/Forward Phase Triac Dimmers(Can customized as a driver only matching trailing edge/reverse phase Triac Dimmers if needed).

✘Please try to use dimmers with power at least 2.5 times as the output power of the driver.

✘for Forward phase,Magnetic low voltage and Triac Dimmers

Warning

✘Prevent to reverse polarity;

✘Risk of Electric Shock. When used outdoors, install only on a circuit protected by a Class A GFCI;

✘Risk of Fire. Installation involves special wiring methods to run wiring through a building structure. Consult a qualified electrician;

✘Risk of Electric Shock. Mount the unit at a height greater than 1 foot from the ground surface.