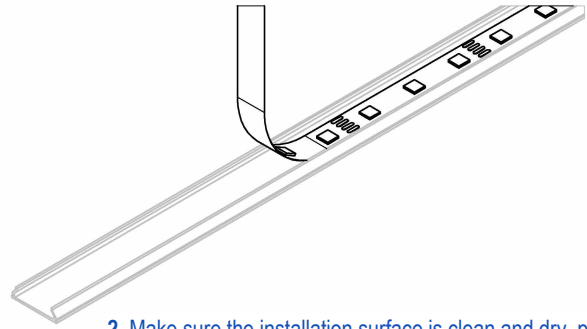
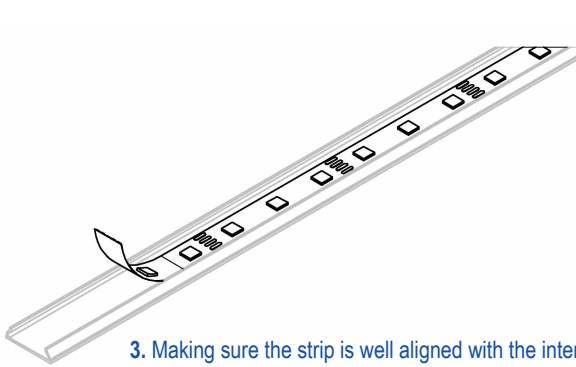


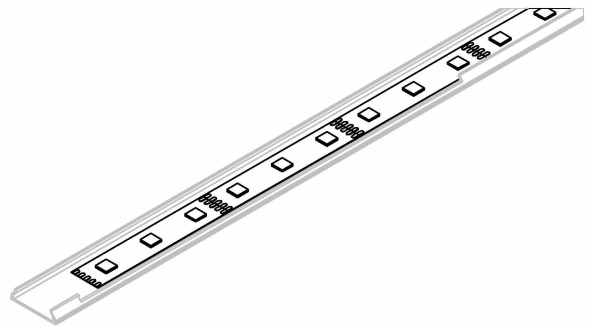
1. Cut strip to required length along designated cutting paths.



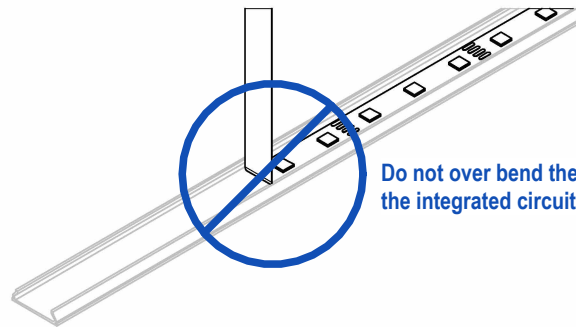
2. Make sure the installation surface is clean and dry, pull the protective film off et start applying the LED strip from one end.



3. Making sure the strip is well aligned with the intended landing, press the end of the strip in place.



4. Once the strip is in place, press with your fingers along the whole length of the strip to ensure a good bond with the surface.



**Do not over bend the strip, damage to the integrated circuit could ensue.**

**!!!WARNING!!!**

LED strips could be damaged by static electricity. They should remain in the provided static bag until it's time to install them.

LED strips are fragile electrical apparatus and good care should be taken to ensure no damage is inflicted to the strip before and after the installation.

As with any electronics, LED can be damaged by heat.

Close all breakers and power switches before making electrical connections.

Make sure power supplies and grid supply can accommodate for the needed current. If in doubt, consult an electrician.