



Client Date Qty
Project Type PO#

LS-PSU-24V-300W-5IN1



Features:

- Output constant voltage, 24VDC 300W 12,5A
- UL cUL listed, Class P, Type HL, FCC, NEMA 4X, T24
- Universal input, 110-277Vac
- Build in active PFC, typical power factor >0.95, THD <10% @ 120V Max. load
- High efficiency : up to 91%
- Load: 0.01-100%
- Short-circuit, over-temperature, over-load protection
- Full protection metal case, for dry, damp, wet location
- Flicker-free-Suitable for LED lighting and moving sign applications

Product advantage:

- Dim-all: Triac/0-10V/1-10V/10V PWM/Potentiometer
- Switch to PWM or Voltage regulation output (American Invention Patent)
- Dimming effect:
Voltage Reduce mode: 100%-0.01% dim, stepless dimming, flicker-free,
PWM dim mode: 100-0.1% dim, flicker-free
- Triac dim mode: Forward phase & reverse phase, MLV, ELV dim
- Exclusive patent design of "Clamshell" junction box, low-profile logo
- Flexible wiring compartment to adjust the AC and DC wiring space
- Metal shell NEMA 4X for indoor and outdoor use; Wet, damp, and dry location
- Title 24 JA8 compliant
- Constant voltage type, fine tune of output voltage
- Super low loading request, works perfect at 0.01-100% load.

Dimming range: 100%-0.01% Ultra Deep Amplitude

No Vpeak-peak during driver on/off and dimming, no harm to the LED for long-term using, and slow down the speed of lumen depreciation.

Works with single channel CCT warm-dim LED strip/tape (2 wires).

Switching different output mode, can be compatible with more different types of LED lamps

compatible with DC-DC design LED fixture, such as MR16, PAR, wall washer, linear lighting, LED strip/type



Client Date Qty
 Project Type PO#

LS-PSU-24V-300W-5IN1

■ Specification

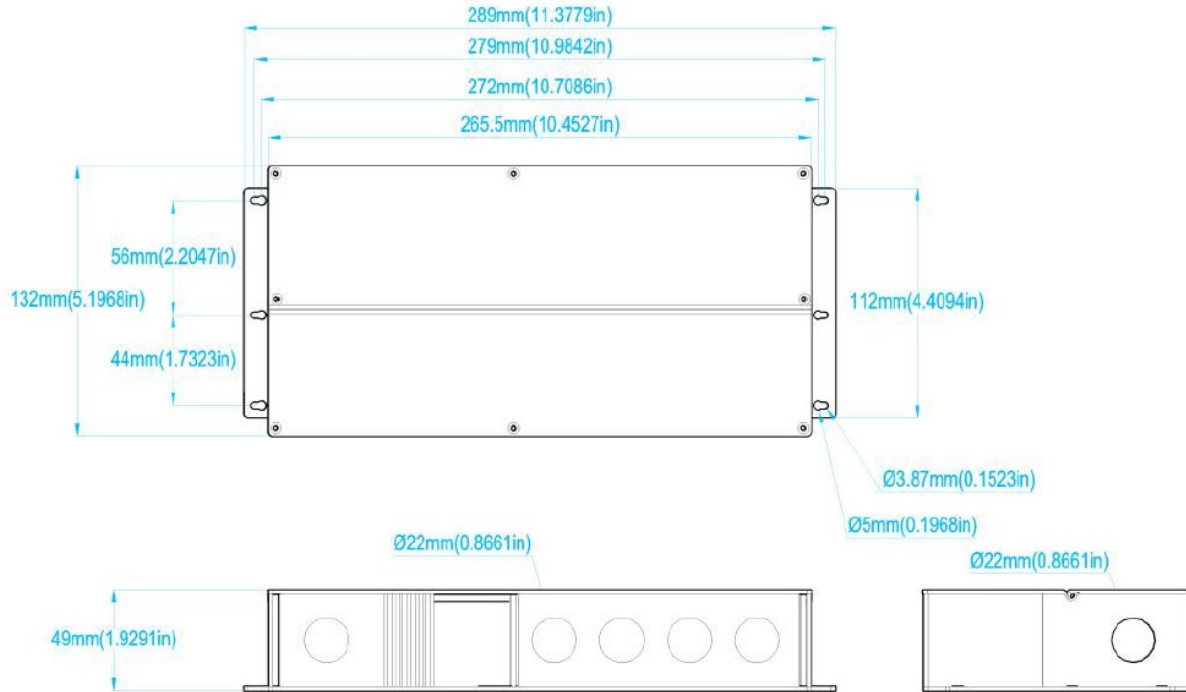
Certificates		UL, cUL listed, Type HL rated, FCC NEMA 4X		
Output	DC Voltage	24V		
	Rated Current	12.5A		
	Rated Power	300W		
	Voltage Tolerance	±0.5V		
	Voltage Regulation	±0.5%		
	Load Regulation	±1%		
Input	Voltage Range	110-277VAC		
	Frequency Range	47-63Hz		
	Power Factor (Typ.)	@ full load 0.99@120VAC 0.98@277VAC		
	THD (Typ.) @ full load	<20% 120VAC & 277VAC		
	Efficiency (Typ.) @ full load	90% @120Vac 92%@277Vac		
	AC Current (Max.)	3.3A@110Vac		
	Inrush Current (Typ.)	20A, 50%, 1.9ms @120VAC; 35A, 50% 1.9ms @277VAC		
	Leakage current	<0.50mA		
Protection	Short Circuit	Hiccup mode, recovers automatically after fault condition is removed.		
	Over Loading	≤120% Hiccup mode, recovers automatically after fault condition is removed		
	Over temperature	100°C±10°C shut down o/p voltage, automatically recover after cooling.		
Environment	Working TEMP.	-40~+60°C (see below derating curve)		
	Working Humidity	20~90%RH, non-condensing		
	Storage TEMP. Humidity	-40~+80°C, 10~95%RH		
	TEMP .coefficient	±0.03%/°C (0~50°C)		
	Vibration	10~500Hz, 5G 10min./1 cycle,period for 60min. each along X,Y,Z axes		
Safety& EMC	Safety standards	UL8750+UL1310		
	Withstand voltage	I/P-O/P:1.88KVAC		
	Isolation resistance	I/P-O/P:100MΩ/500VDC/25°C/70%RH		
	EMC EMISSION	FCC Part 15 B		
others	Net. Weight	2.1Kg		
	Size	289*132*42.5mm (L*W*H)		
	packing	10PCS/CTN,Packing size:340*295*295mm		
Notes	1. All parameters if NOT specially mentioned are measured at 120VAC input , rated load and 25°C of ambient temperature. 2. To extend the driver's using life ,please reduce the loading at lower input voltage.			



Client Date Qty
Project Type PO#

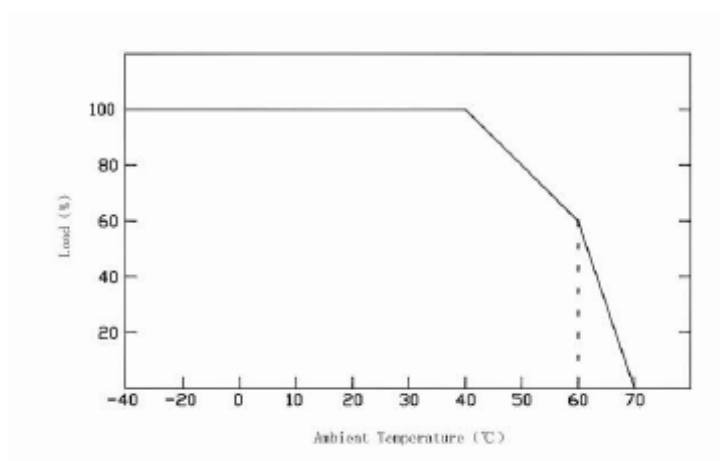
LS-PSU-24V-300W-5IN1

Dimensions:



Derating Curve:

To extend their life, please refer to the Derating Curve and derate according to the temperature.

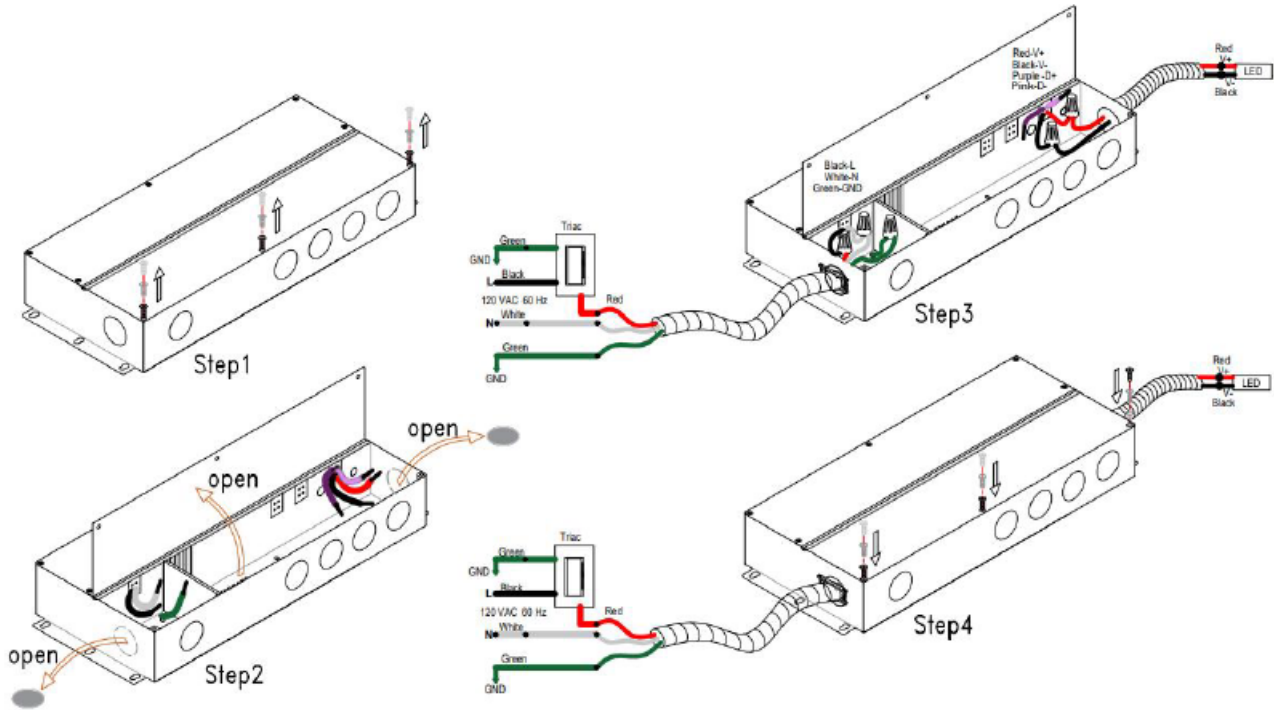




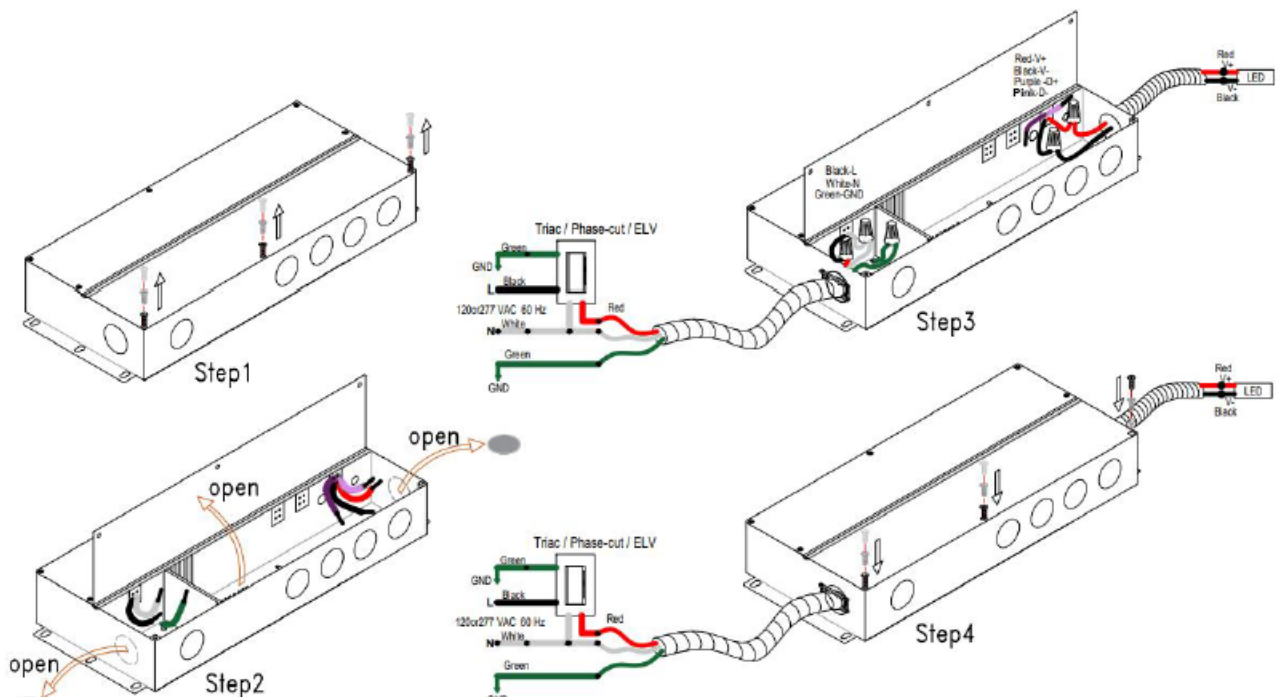
Client Date Qty
Project Type PO#

LS-PSU-24V-300W-5IN1

Using Triac MLV wiring diagram:



Using Triac ELV wiring diagram:

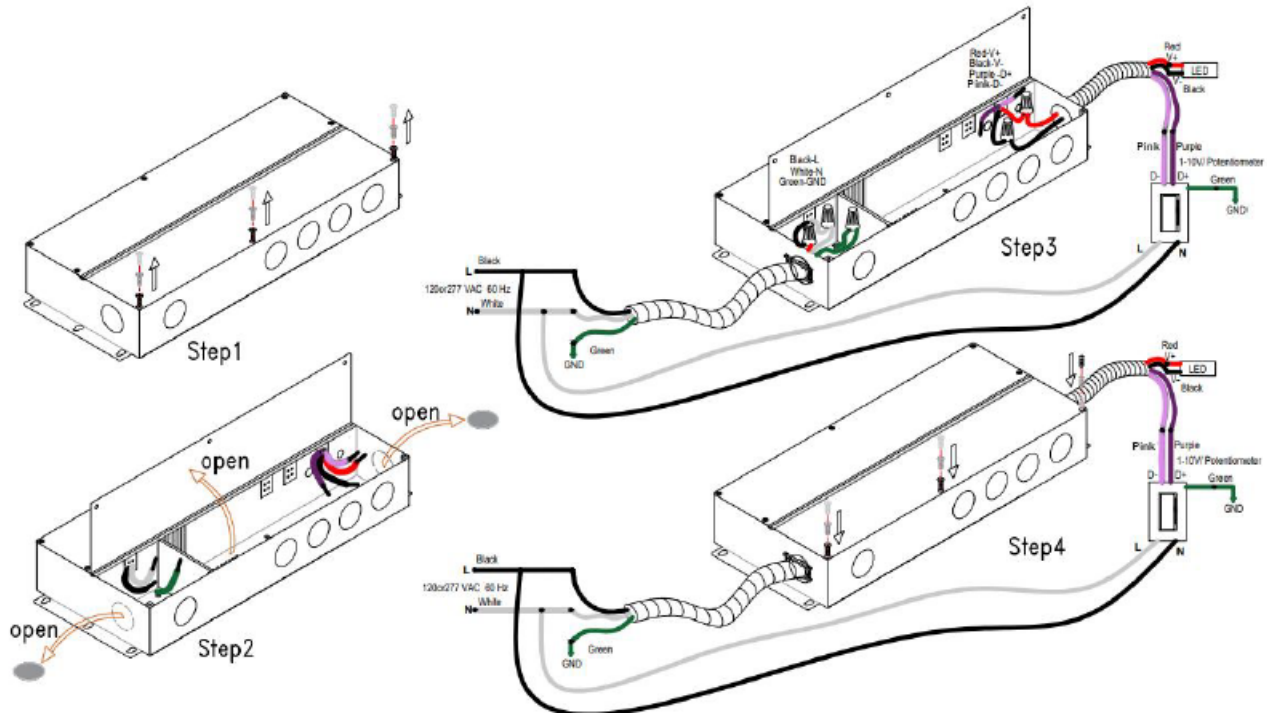




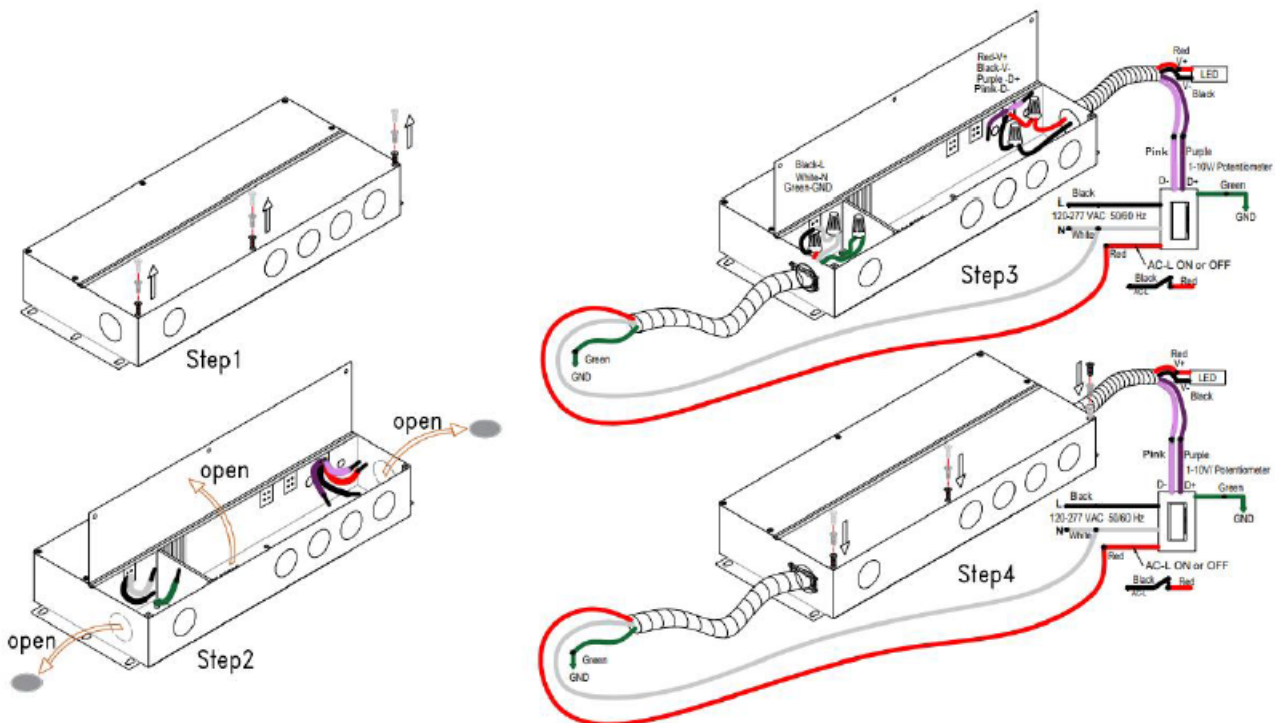
Client Date Qty
Project Type PO#

LS-PSU-24V-300W-5IN1

Using 0-10V/1-10V dimming (Power supply trough dimmer switch):



Using 0-10V/1-10V dimming (Power supply trough dimmer switch):

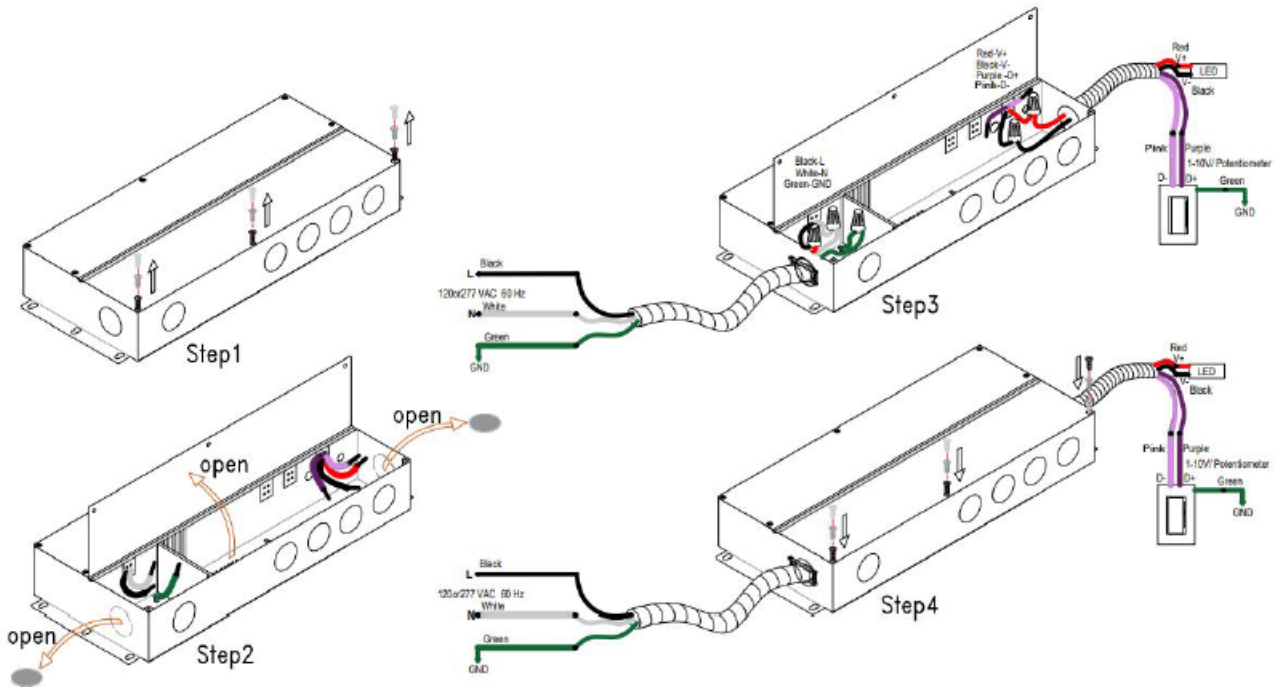




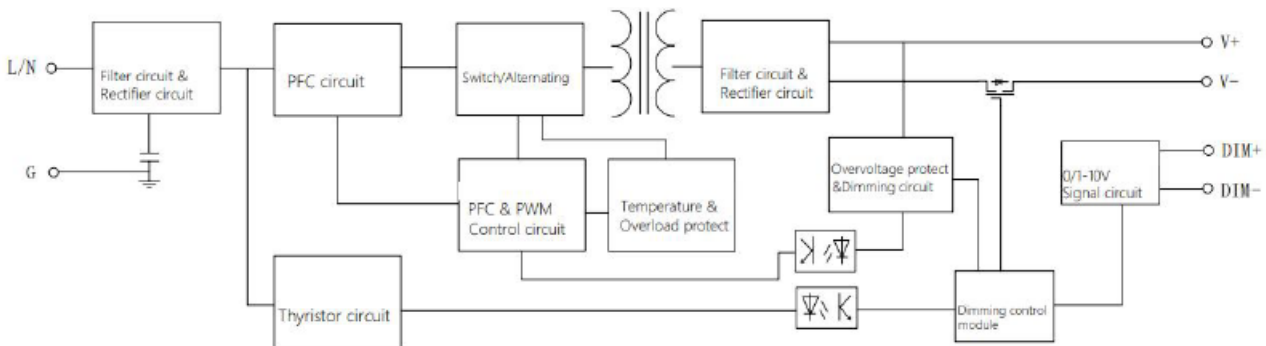
Client Date Qty
Project Type PO#

LS-PSU-24V-300W-5IN1

Using 0-10V/1-10V dimming (The dimmer is not connected to high voltage):



The topology

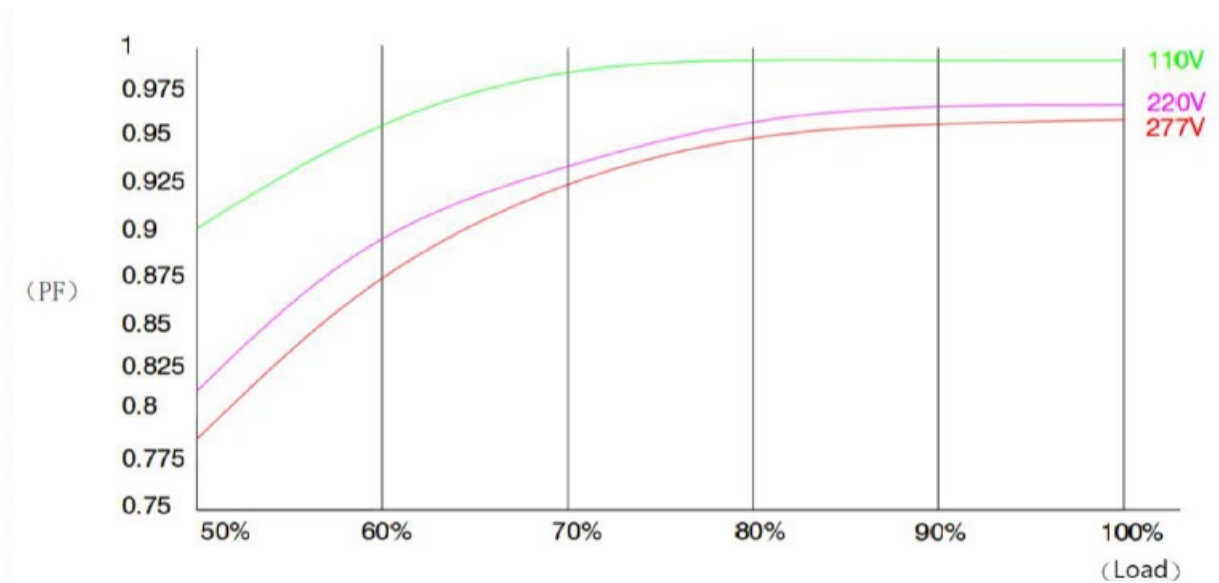




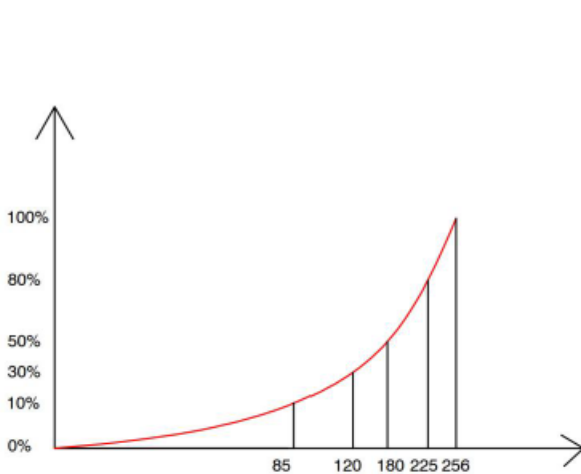
Client Date Qty
Project Type PO#

LS-PSU-24V-300W-5IN1

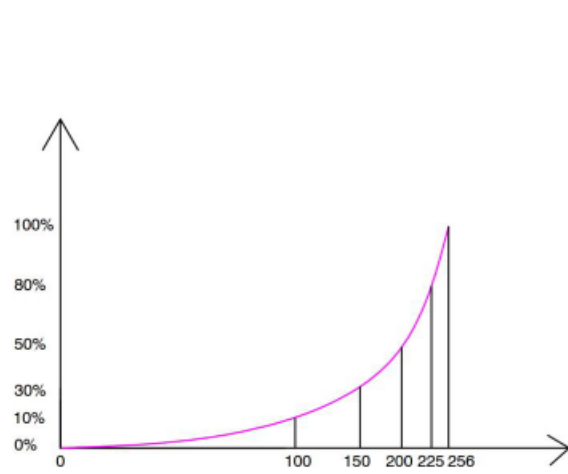
PFC load graph



PWM dimming curve



VR dimming curve

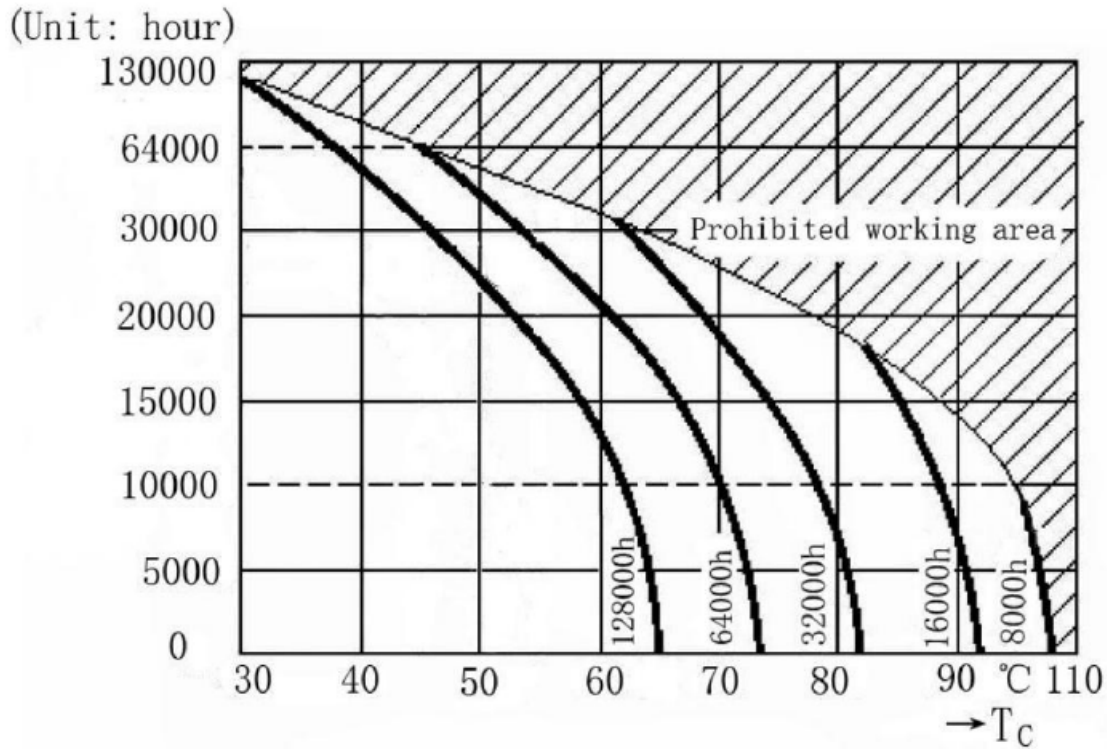




Client Date Qty
Project Type PO#

LS-PSU-24V-300W-5IN1

Power supply operating temperature and life curve



Instruction:

- 1) This driver should be installed by qualified and professional person.
- 2) Please make sure the driver is installed with adequate ventilation around it to allow for heat dissipation.
- 3) Ensure that wiring is correct before test in order to avoid light and power supply damage.