



Client Date Qté

Projet Type BC#

LS-PSU-12V-DIM-150W



LS-PSU-24V-DIM-150W



Constant Voltage Phase/Triac dimmable driver---150W series



Specification

Model	LS-PSU-12V-DIM-150W	LS-PSU-24V-DIM-150W		
Certificates	ETL, FCC			
output	DC Voltage	12V	24V	
	Voltage Tolerance	±0.5V		
	Rated current	12.5A	6.25A	
	Rated power	150W		
input	Voltage Range	100~130VAC		
	Frequency Range	50~60HZ		
	Power Factor (Typ.)	PF≥0.65		
	Efficiency (Typ.)	83%	84%	
	AC Current (Typ.)	2.53A	2.5A	
	Leakage current	< 0.70mA/110VAC		
Protection	Short Circuit	Hiccup mode, recovers automatically after fault condition is removed		
	Over Current	≤1.4*I out		
	Over Loading	≤120%		
	Over temperature	100°C±10°C (The output voltage will turn off when the temperature is higher then 100°C±10°C after the temperature drop off ,it will recovery) automatic		
Environment	Working TEMP.	-40~+60°C		
	Working Humidity	20~90%RH, non-condensing		
	Storage TEMP	-40~+80°C, 10~95%RH		
	TEMP .coefficient	±0.03%/°C (0~50°C)		
	Vibration	10~500Hz, 2G 10min./1 cycle,period for 60min. each along X,Y,Z axes		
Safety& EMC	Safety standards	UL1012		
	Withstand voltage	I/P-O/P:1500KVAC		
	Isolation resistance	I/P-O/P: 100MΩ/500VDC/25°C/70%RH		
	EMC EMISSION	FCC Part 15 B		
others	Net. Weight	1.38Kg		
	Size	227*78*48mm (L*W*H)		
	packing	305*260*210 10PCS/CTN		



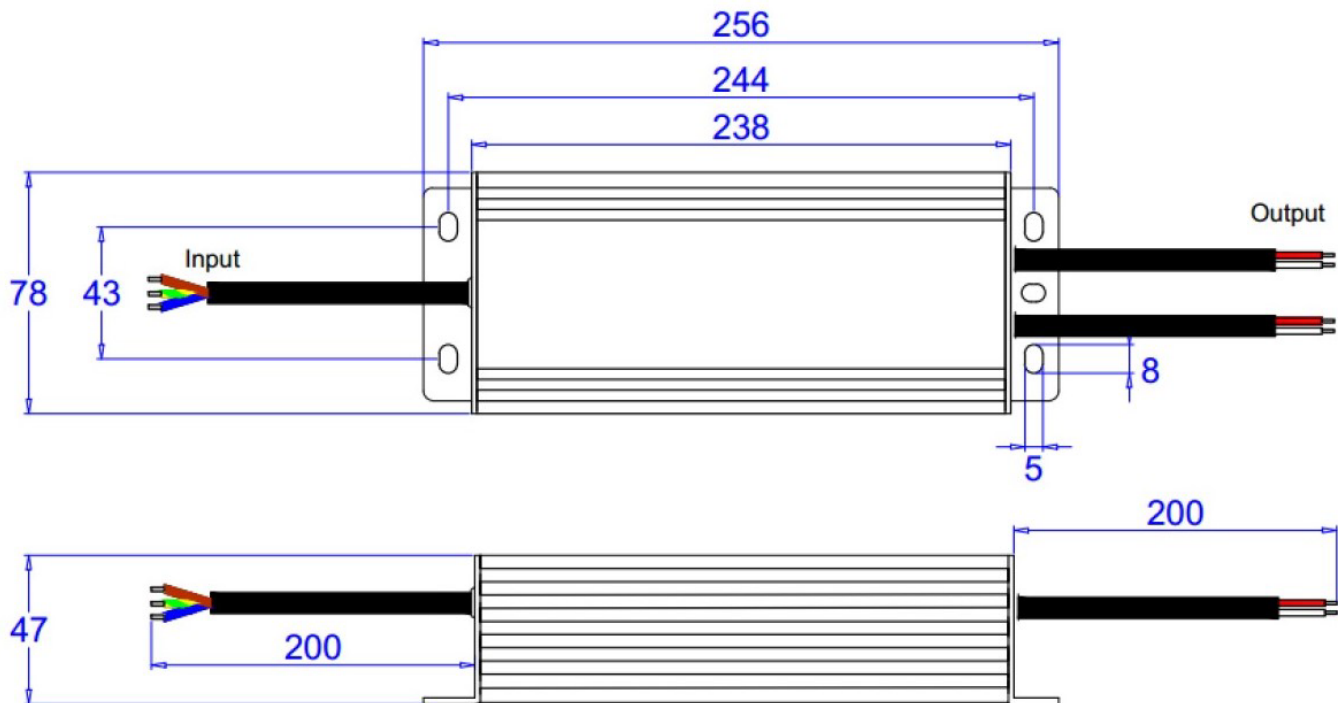
Client Date Qté
Projet Type BC#

Constant Voltage Phase/Triac dimmable driver---150W series

Dimensions

Notes	<ol style="list-style-type: none">1. All parameters if NOT specially mentioned are measured at 110VAC input , rated load and 25°C of ambient temperature.2. To extend the driver's using life ,please reduce the loading at lower input voltage.3.Loading should be 5-100%.
-------	---

■150W Phase/Triac Dimmable driver Mechanical Specification



※ Input black(L) and white(N) wires to be connected AC, Green wire to be connected ground; output red and black wires to be connected led lighting.

■Dimming Operation

- ※Output constant current level can be adjusted through input terminal of the AC phase line(L) by connection a phase/triac dimmer.
- ※for Forward phase,Magnetic low voltage and Triac Dimmers

■Warning

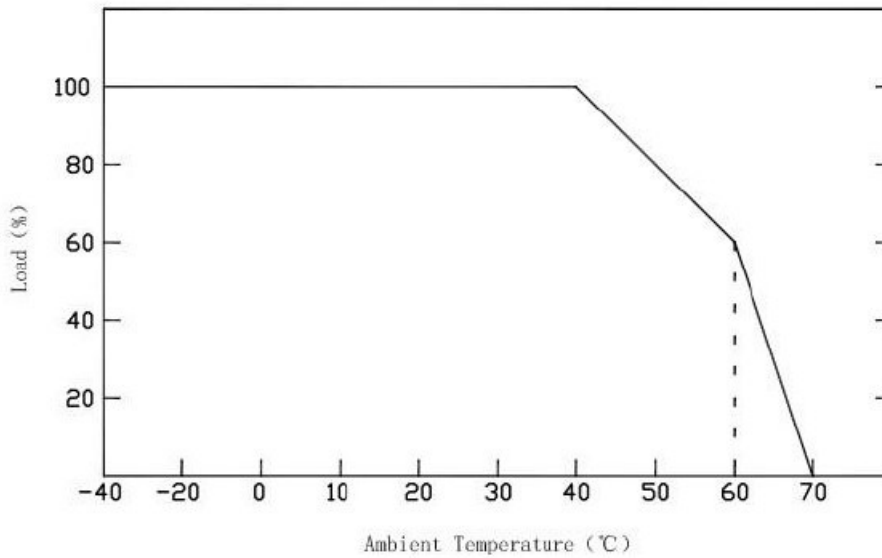
- ※Prevent to reverse polarity; Output polarity: RED "+"; BLACK "-"
- ※Risk of Electric Shock. When used outdoors, install only on a circuit protected by a Class A GFCI;
- ※Risk of Fire. Installation involves special wiring methods to run wiring through a building structure. Consult a qualified electrician;
- ※Risk of Electric Shock. Mount the unit at a height greater than 1 foot from the ground surface.



Client Date Qté
Projet Type BC#

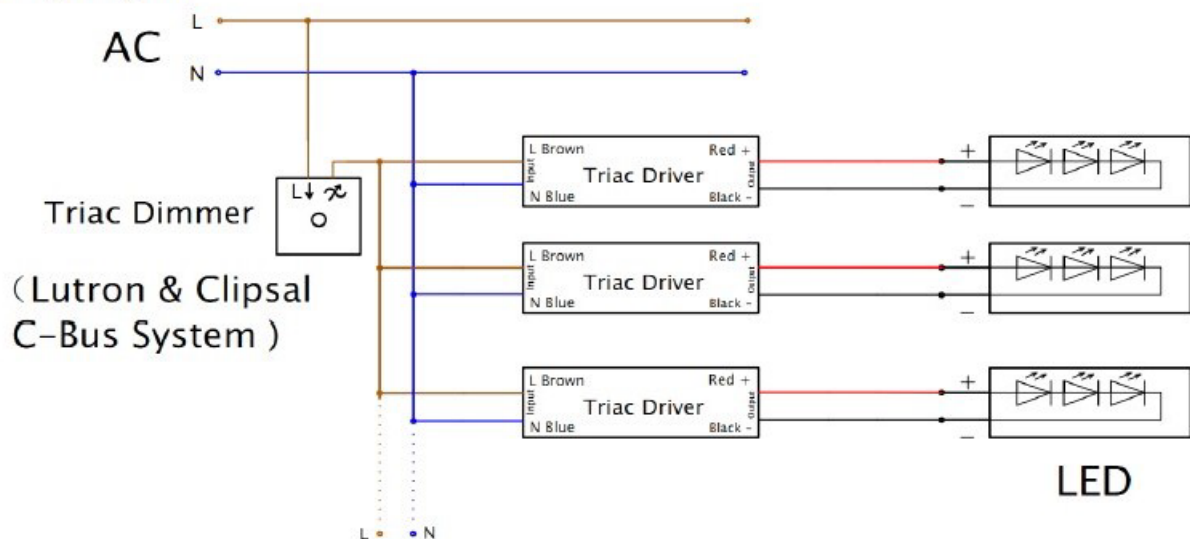
Constant Voltage Phase/Triac dimmable driver---150W series

■ Derating Curve



※To extend their life, please refer to the Derating Curve and derate according to the temperature.

■ Connecting Diagram





Client Date Qté
Projet Type BC#

Constant Voltage Phase/Triac dimmable driver---150W series

