



Client Date Qty
 Project Type PO#

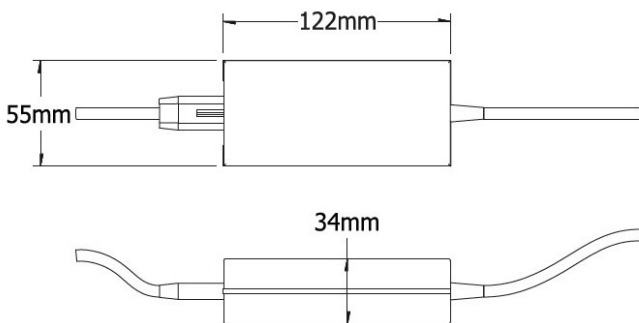
LS-PSU-12V-36W
 LS-PSU-12V-60W



Description:

- UL Canada and USA certified. (LYD1203000UB & LYD1205000UB)
- Class 2
- Plugs into a 120VAC outlet
- Non-Dimmable
- High heat resistance
- Smart surge protection
- Operates in temperatures from -20°C to 85°C
- Including 120VAC connection cable

Dimensions:



Order table:

Model	IP protection	Power	Input voltage	Output voltage	Dimensions
LS-PSU-12V-36W	IP20	36W	120VAC	12VDC	122mm*55mm*34mm
LS-PSU-12V-60W	IP20	60W	120VAC	12VDC	122mm*55mm*34mm