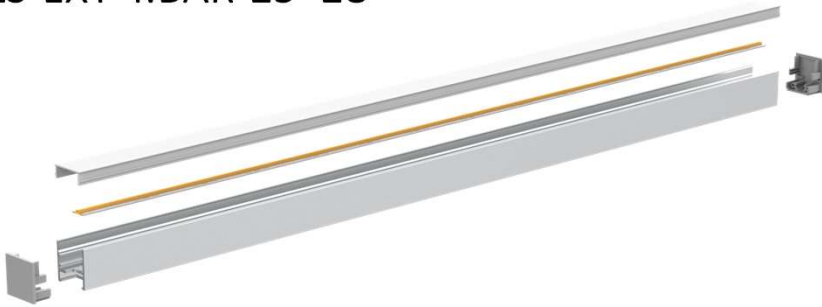




Client Date Qty
Project Type PO#

LS-EXT-T.BAR-25*28



AL6063-T5

Description

- Robust aluminium construction dissipates heat from LEDs
- For suspended ceiling lighting .
- Blends perfectly with the ceiling structure
- The opal lens dissapates the light perfectly
- Available in 3 colors
- Maximimum lenght : 10 feet

LED Tape

Compatible with most of our LED tapes

***** 5 years warranty *****



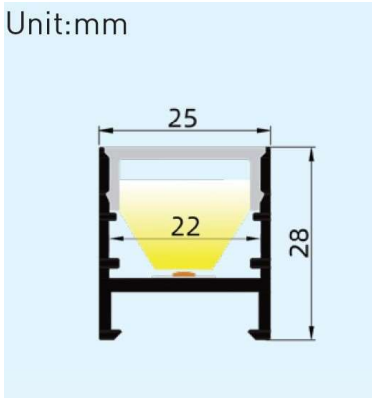


Client Date Qty
 Project Type PO#

LS-EXT-T.BAR-25*28

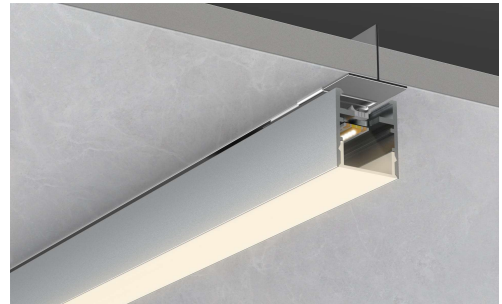
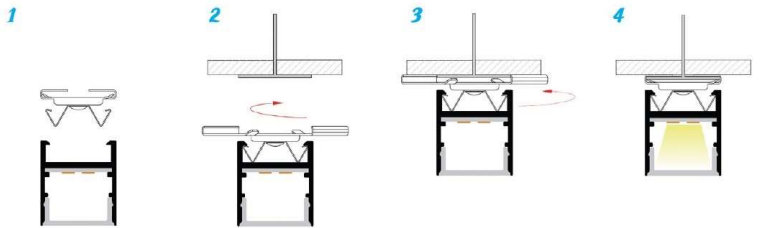
Dimensions

Unit:mm



Installation

Embedded



Accessoires

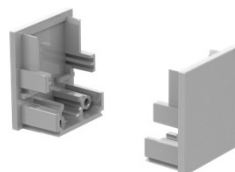
LS-EXT-T.BAR-25*28-LEN



- CLEAR
- FROSTED
- OPALIN



LS-EXT-T.BAR-25*28--CLIP



LS-EXT-T.BAR-25*28-CAP