



Client Date Qty
Project Type PO#

LS-EXT-SUR-16*13



AL6063-T5

Assembled in Canada

Description

The LS-EXT-SUR-16*13 is the industry standard.

- Rough aluminium conception
- Great for under cabinet illumination or light decoration
- Perfect diffusion with 3 kinds of lens
- Easy to install
- Maximum length of 10 feet

Compatible LED engine

10mm 12mm width

Linear weight

0,05 lb/ft, 0,075kg/m

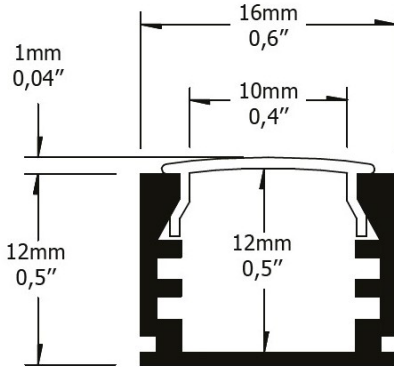




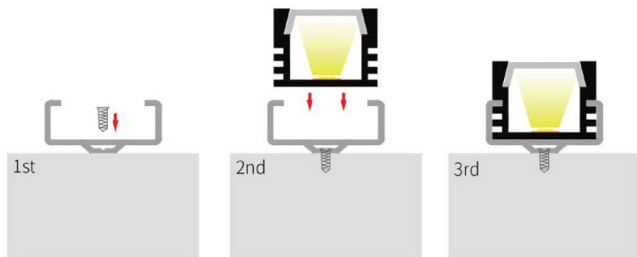
Client Date Qty
Project Type PO#

LS-EXT-SUR-16*13

Dimension



Installation



Accessories

LS-EXT-LEN



- CLEAR
- FROSTED
- OPALIN

LS-EXT-SUR-16*13-CLIP



LS-EXT-SUR-16*13-END CAP

