



Client Date Qty
Project Type PO#

LS-EXT-ENC-63*32



AL6063-T5

Assembled in Canada

Description

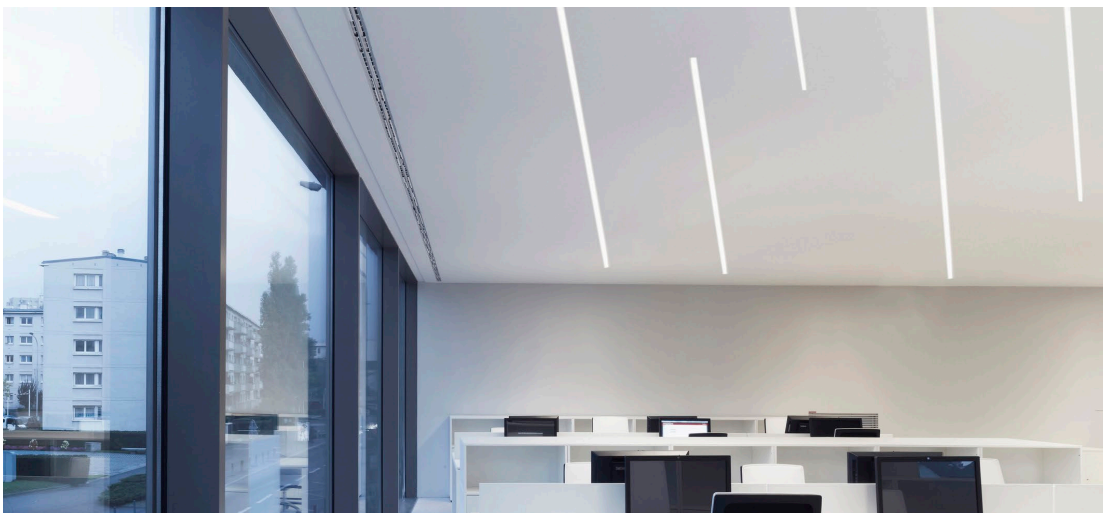
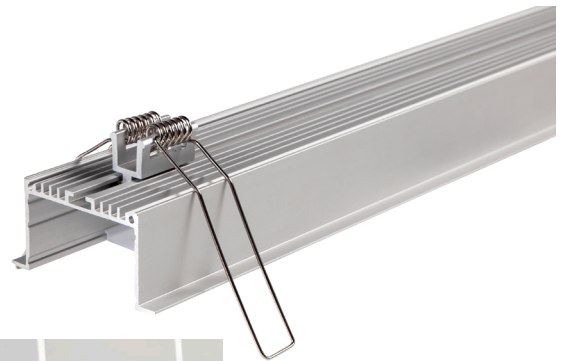
- Robust aluminium construction that dissipates heat from LEDs
- Perfect for recessed application
- The frosted lens disperses the light perfectly across the lens
- For commercial and residential applications
- Maximum length of 10' of extrusion

Compatible LED Strip

10m-12m

Linear weight

0,25 lb/ft, 0,37 kg/m

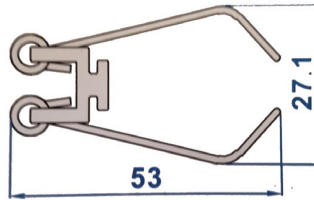
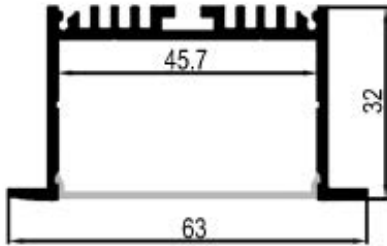




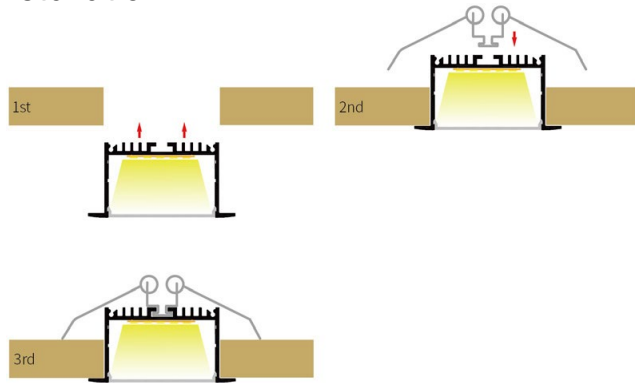
Client Date Qty
Project Type PO#

LS-EXT-ENC-63*32

Dimensions



Installation



Accessories

LS-EXT-ENC-63*32-LEN-GI



LS-EXT-ENC-63*32-CLIP



LS-EXT-ENC-63*32-END CAP

