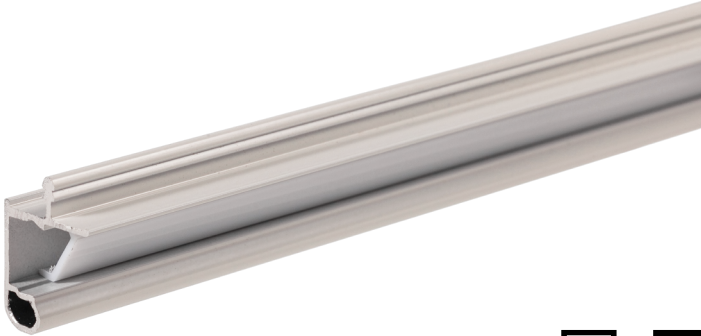




Client Date Qty
Project Type PO#

LS-EXT-ENC-27*20



AL6063-T5

Description

- Rugged aluminum design dissipates heat from LEDs.
- Cabinet lighting, under counter, decorative line, etc.
- Its opaline or frosted lens perfectly diffuses the light.

Compatible LED tape

10mm

Linear weight

0,05 lb/ft, 0,075kg/m

Departure of the wires from the back or the end of the extrusion Possibility of hiding the wiring behind the extrusion Possibility of illuminating surfaces by proximity

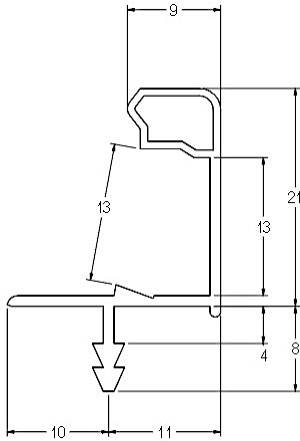




Client Date Qty
Project Type PO#

LS-EXT-ENC-27*20

Dimensions



Installation

Coming soon

Accessories

LS-EXT-ENC-27*20-LENS



- CLEAR LENS
- FROSTED LENS
- OPALIN LENS