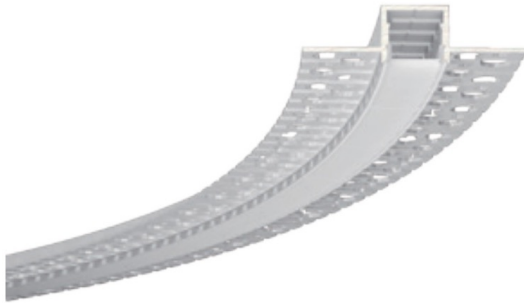




Client Date Qty
 Project Type PO#

LS-EXT-DECO-EMB-17*15



AL6063-T5



Description

The plaster-in flexible LED lighting channel is specifically designed for linear lighting embedded in walls or ceilings. The design of the LS-Ext-DECO-EMB-17*15 allows it to be fully embedded in drywall for seamless embedding and a monolithic look.

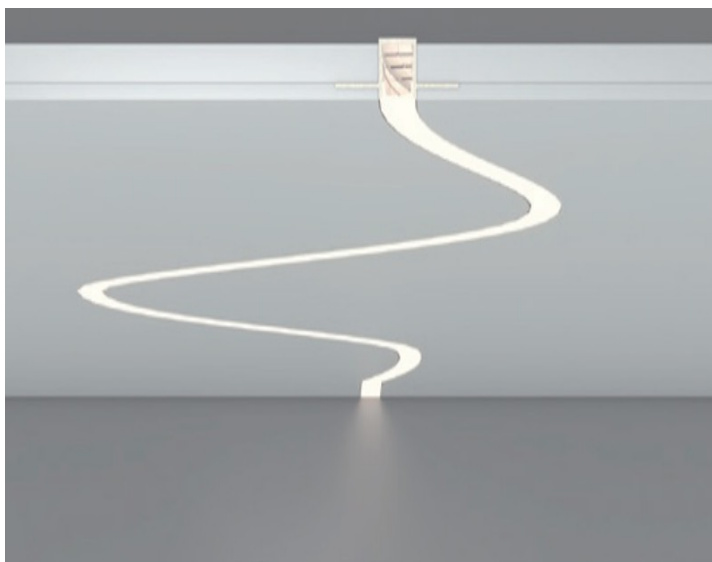
Made of low-profile aluminum, the flexible strip light channel can be bent as needed (left and right bends). Minimum bending diameter 450mm (17.7").

The interior is used for mounting LED strips that emit a soft, even light. Supplied with silicone light cover up to 50 meters long.

If you wish to use standard light strips, please stick them to the side of the channel, taking care that the strip width does not exceed 10mm. If sticking to the bottom of the channel, please use the S-shaped light strip for an overall curved design.

Compatible LED Strip

8-10mm

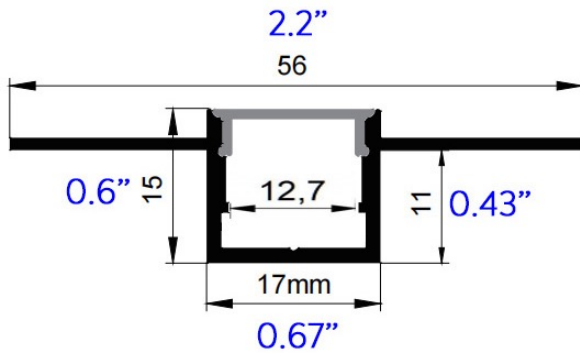




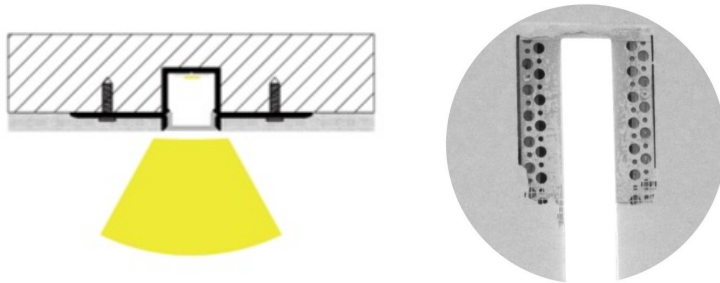
Client Date Qty
Project Type BC#

LS-EXT-DECO-EMB-17*15

Dimensions



Installation



Accessories

LS-EXT-DECO-EMB-17*15-LEN



- CLEAR
- FROSTED
- OPALIN
- BLACK

LS-EXT-DECO-EMB-17*15-END CAP

