



Client Date Qty
 Project Type PO#

MIMOSA Low Voltage Recessed

Signature Series



Description

- Built-in for kitchen cabinets, RVs, etc.
- Very thin (11mm)
- Choice of 3 finishes: Brushed metal, white and black.
- Different types of CCT available: 2700K, 3000K, 3500K, 4000K, 5000K
- And DUO version (3000K and 4000K)
- Input and output connections
- Available in 12V or 24VDC
- Dimmable with our power supplies (LS-PSU-DIM)

Order code

LS-ENC-MIMO-	Voltage	-	CCT	-	CRI
	12V		2700K		80
	24V		3000K		95
			3500K		
			4000K		
			5000K		
			DUO(3K-4K)		

Accessories

Câbles:

- LS-ACC-MIMO-2M 2 meters starter cable with 1 connector
- LS-ACC-MIMO-0,5M 0.5 meters extension with connector at each end
- LS-ACC-MIMO-1M 1 meter extension with connector at each end

Finitions:

- LS-ACC-MIMO-BN Brushed nickel finish
- LS-ACC-MIMO-WH White Finish
- LS-ACC-MIMO-BK Black finish





Client

Date

Qty

Project

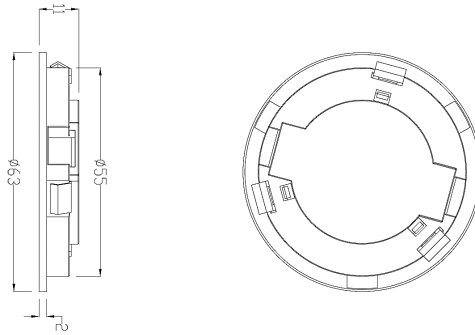
Type

PO#

MIMOSA Low Voltage Recessed

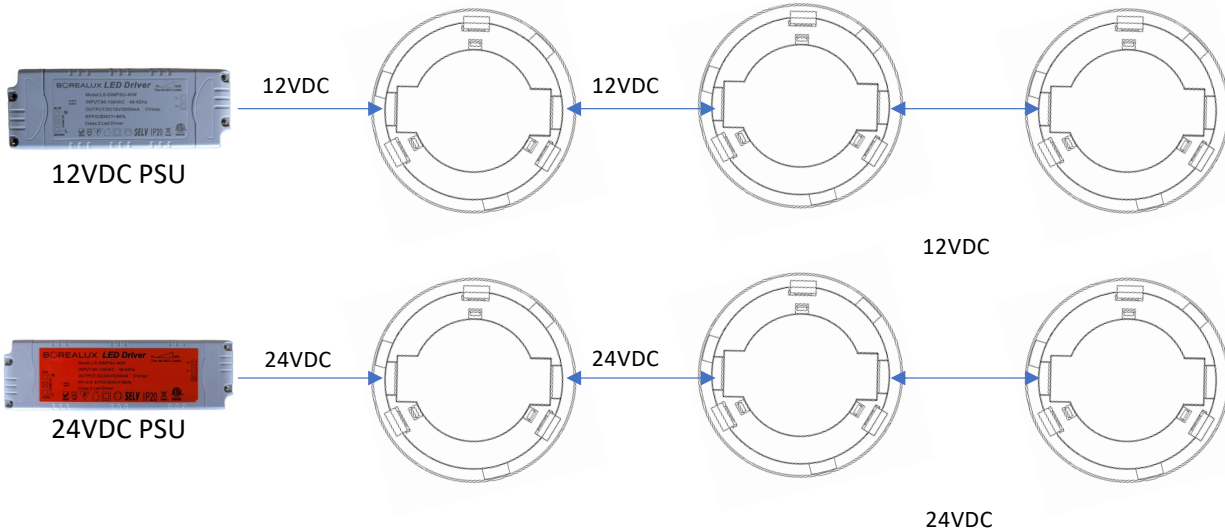
Signature Series

Dimensions (mm)

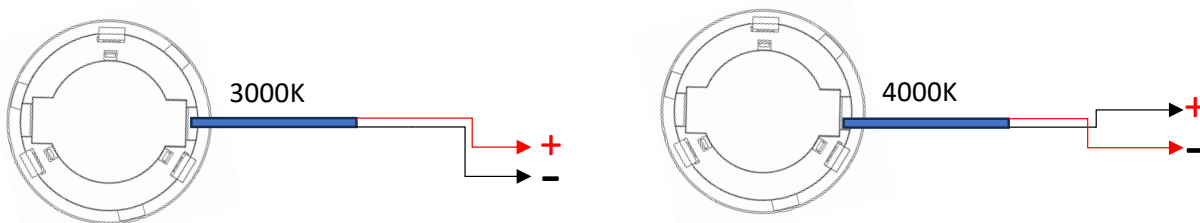


Installation

1 CCT MODEL CONNEXIONS



DUO MODEL CONNEXIONS



Invert the + and the - at the end of the power supply to change the CCT

***ATTENTION: MAXIMUM OF 4 IN A SINGLE SET