



Client Date Qty
 Project Type PO#

LS-ENC-DIRECT120V-120MM

LS-ENC-DIRECT120V-170MM



Intertek
5009312



Description

- Power input 120V CA 60hz
- Low power consumption of 8W or 12W
- CCT of 3000K or 4000K
- Beam angle of 60 degrees
- 8 modulars and interchangeable finishes
- Fresnel lens supplied
- Dimmable with all TRIAC dimmer
- Dimming totally smooth

*****5 years warranty*****

Suitable for damp locations



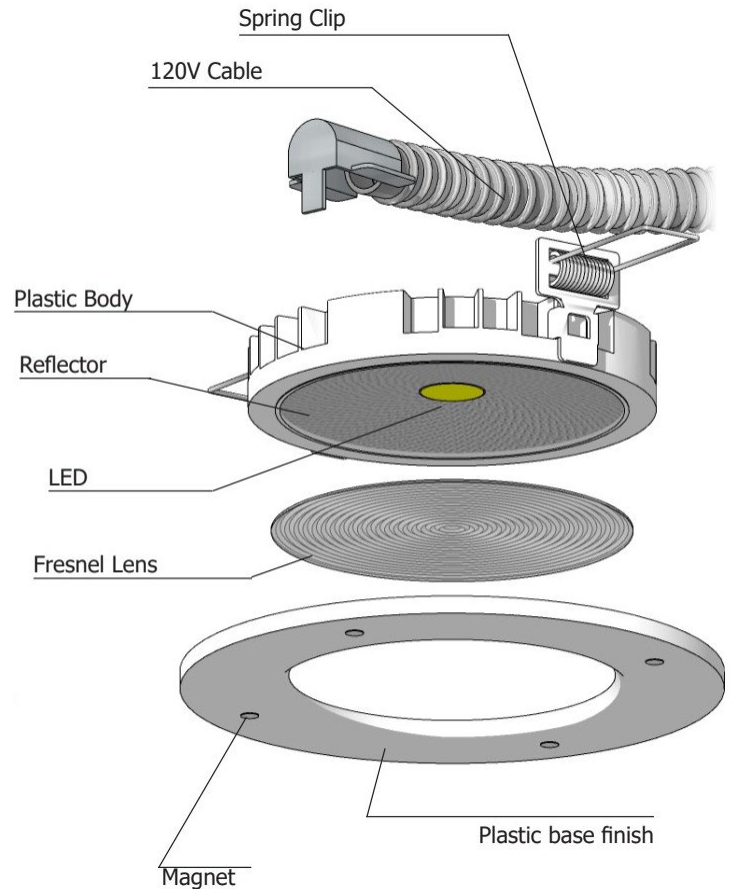
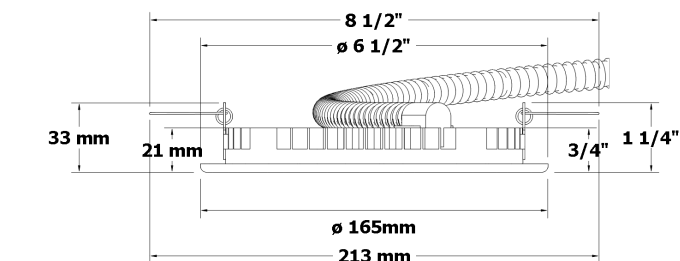
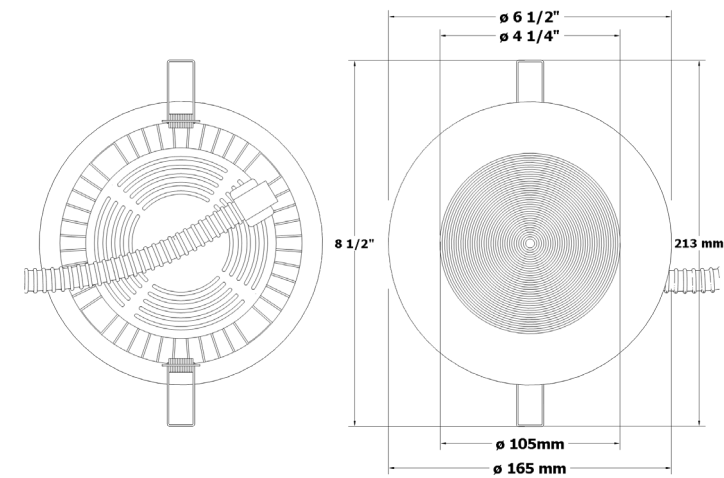
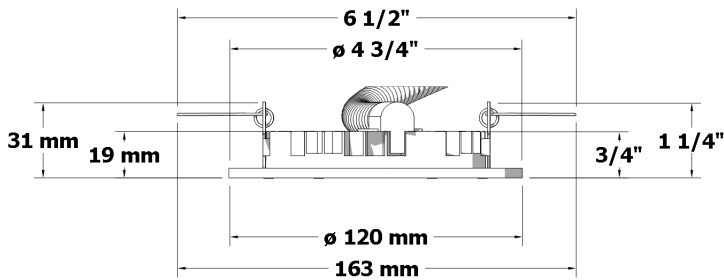
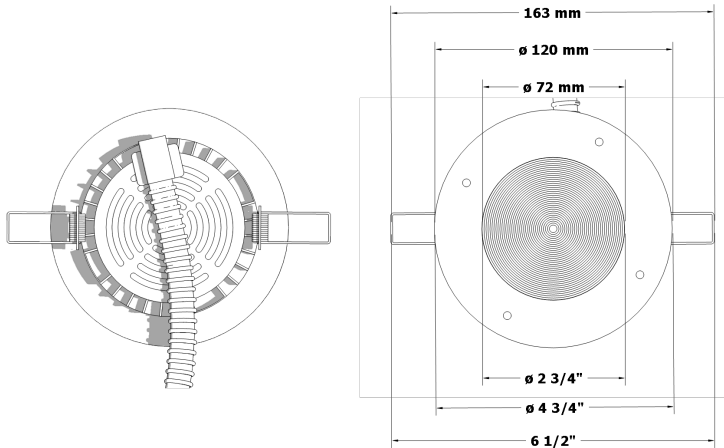


Client Date Qty
 Project Type PO#

LS-ENC-DIRECT120V-120MM

LS-ENC-DIRECT120V-170MM

Dimensions





Client Date Qty
 Project Type PO#

LS-ENC-DIRECT120V-120MM

LS-ENC-DIRECT120V-170MM

Finishes

Square

Round

Silver



White



Silver



White



Nickel



Black



Nickel



Black



Order table

Model	IP Protection	Power	Color Temperature	Lumen	Diode type	Input Voltage	Beam Angle
LS-ENC-DIRECT120V-120MM-3K	IP20	8W	3000K	640LM	COB	120V	60°
LS-ENC-DIRECT120V-120MM-4K	IP20	8W	4000K	640LM	COB	120V	60°
LS-ENC-DIRECT120V-170MM-3K	IP20	12W	3000K	960LM	COB	120V	60°
LS-ENC-DIRECT120V-170MM-4K	IP20	12W	4000K	960LM	COB	120V	60°



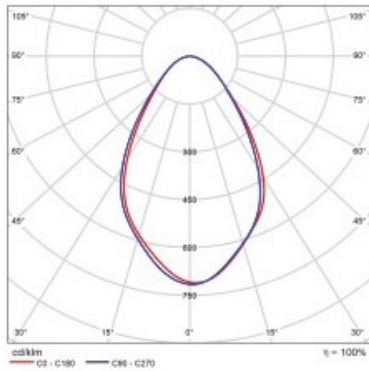
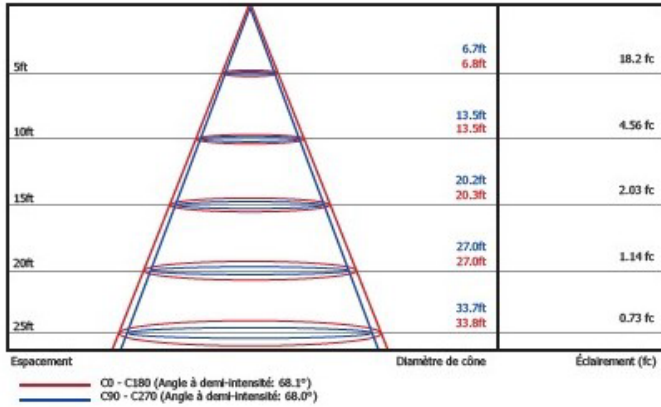
Client Date Qty
 Project Type PO#

LS-ENC-DIRECT120V-120MM

LS-ENC-DIRECT120V-170MM

Photometric test

120MM (8W)



170MM (12W)

