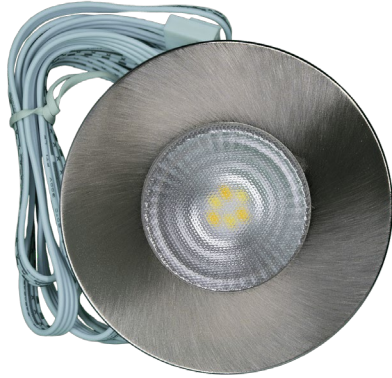




Client Date Qty
 Project Type PO#

LS-ENC-12V-R-79MM-CCT.VAR



Intertek
5015426



Description

- 12V DC
- Low consumption of 4W
- 3 choices of CCT 3000K/4000K/ 5000K
- Beam angle of 80 degrees
- 3 choices of magnetic finish
- Metal reflector with plastic lens
- Recessed or surface installation
- Dimmable with our LS-PSU-DIM power supply series

*****5 YEARS WARRANTY*****

Suitable for damp location

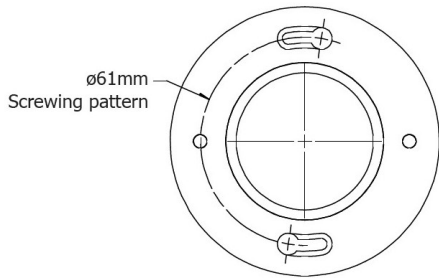
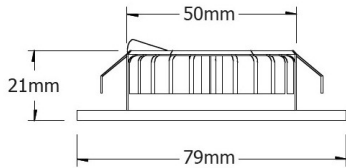




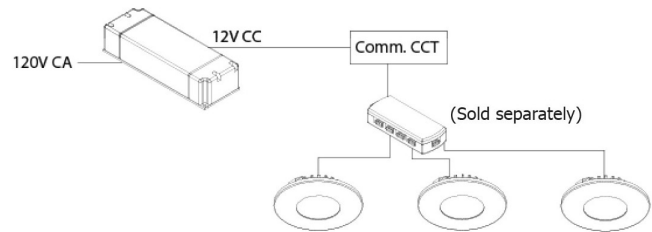
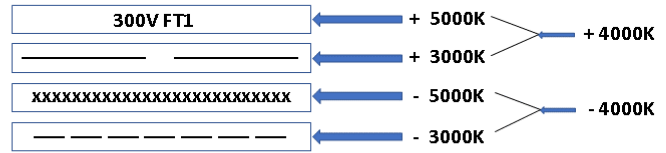
Client Date Qty
 Project Type PO#

LS-ENC-12V-R-79MM-CCT.VAR

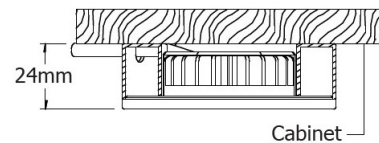
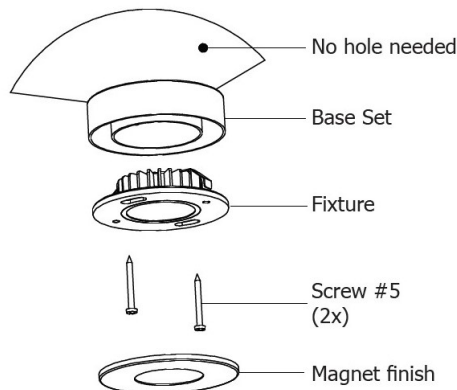
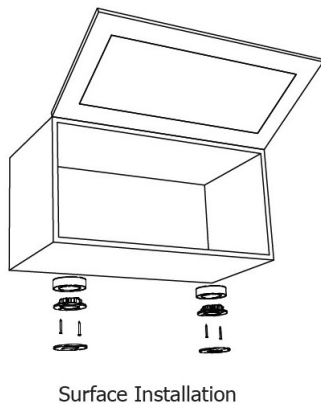
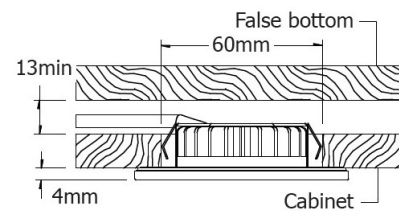
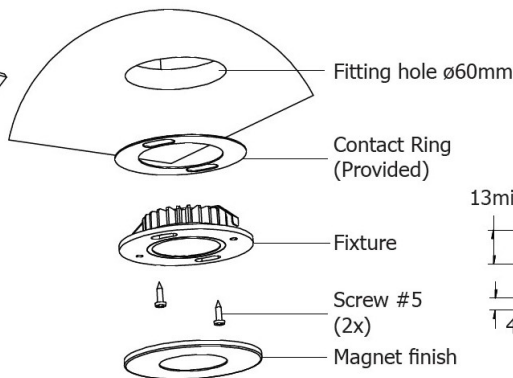
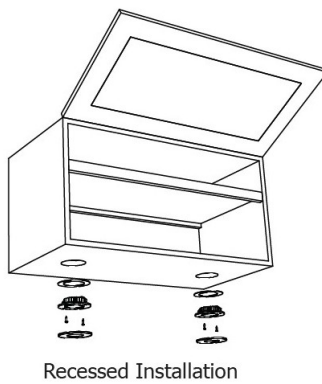
Dimensions



Connections



Installation





Client Date Qty
 Project Type PO#

LS-ENC-12V-R-79MM-CCT.VAR

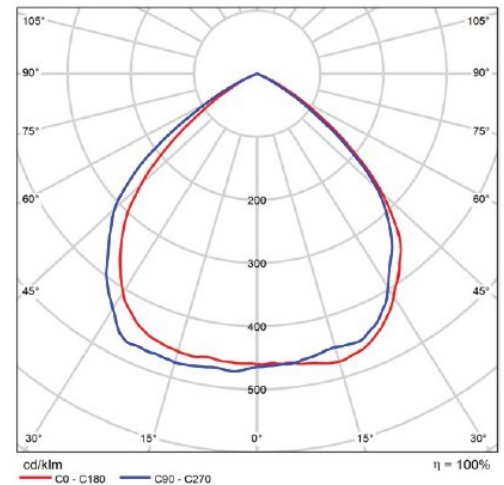
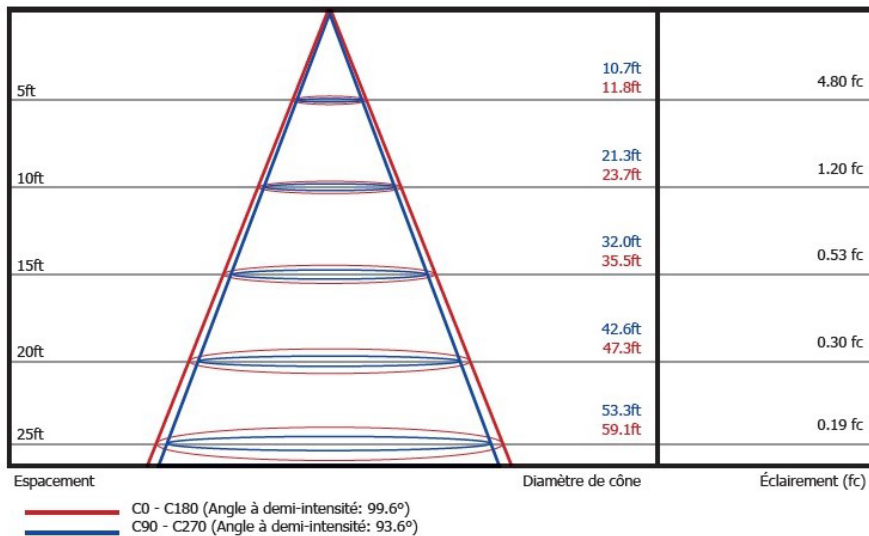
Order table

Model	IP protection	Puissance	Color temperature	Lumen	Diode	Input Voltage	Beam Angle
LS-ENC-12V-R-79MM-CCT.VAR	IP20	4W	3000K, 4000K, 5000K	261LM	SMD	12VDC	80°

See accessories for the other codes

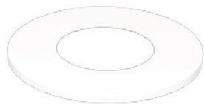
Photometric test

LS-ENC-12V-R-79MM-CCT.VAR



Finishes and accessories

White



LS-ENC-12V-R-79MM-CCT.VAR-FIN-WH

Brushed Nickel



LS-ENC-12V-R-79MM-CCT.VAR-FIN-BN

Silver surface installation base set



LS-ENC-12V-R-79MM-CCT.VAR-SURF-SI

1m Extension



LS-ENC-12V-R-79MM-CCT.VAR-CAB-1M

Black



LS-ENC-12V-R-79MM-CCT.VAR-FIN-BK

Silver



LS-ENC-12V-R-79MM-CCT.VAR-FIN-SI

Brushed Zinc surface installation base set



LS-ENC-12V-R-79MM-CCT.VAR-SURF-BZ

Distribution Box - 9 outputs



LS-ENC-12V-R-79MM-CCT.VAR-CON-9V