



Client  Date  Qty   
Project  Type  PO#

## LS-ENC-12V-R-120MM



### Description

- Power input 12VDC
- Low power consumption of 8W.
- CCT 3000K, 4000K or RGBW .
- 60 degrees beam angle
- 8 modular and interchangeable finishes.
- Fresnel lens type.
- 50,000 hrs lifetime .

**\*\*\*5 YEARS WARRANTY\*\*\***

**Suitable for damp  
locations**

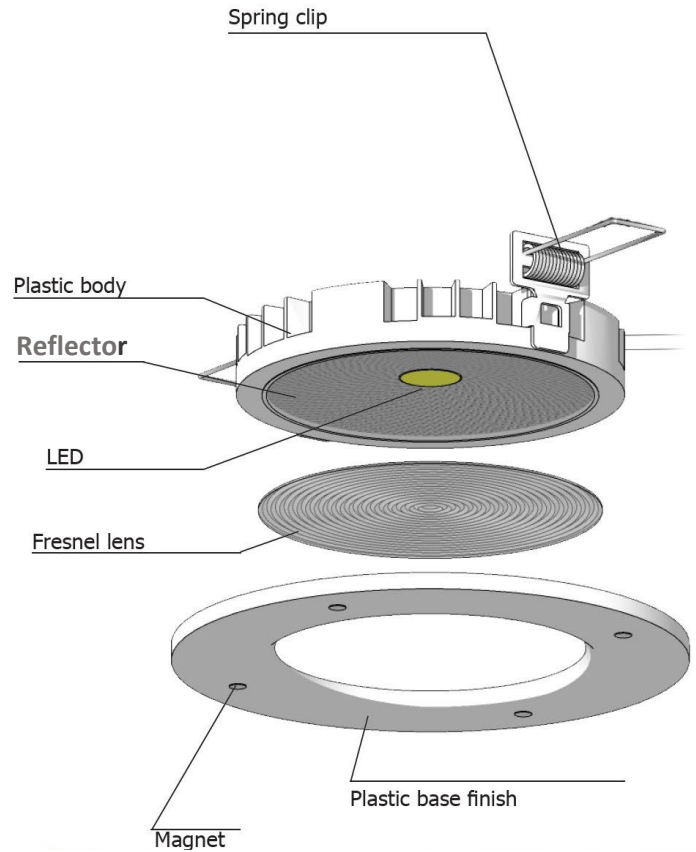
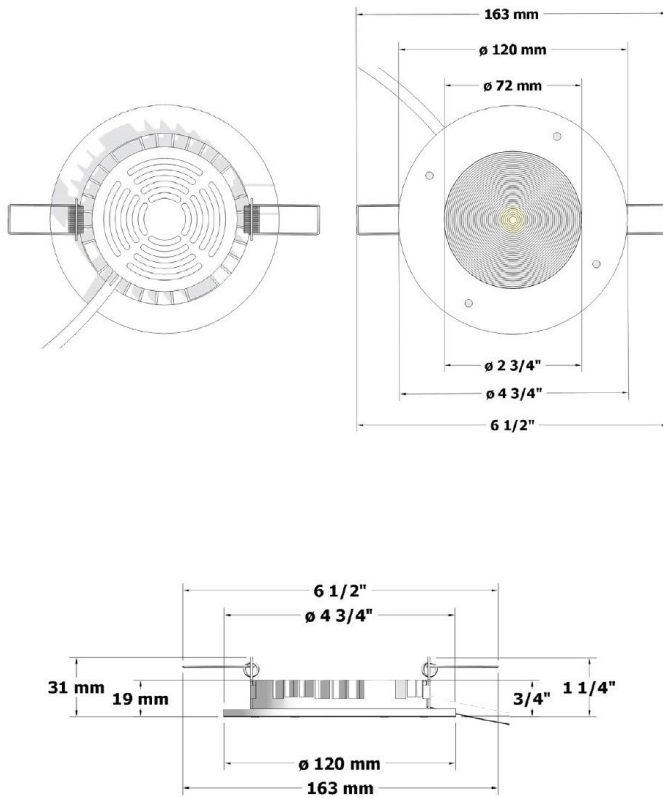




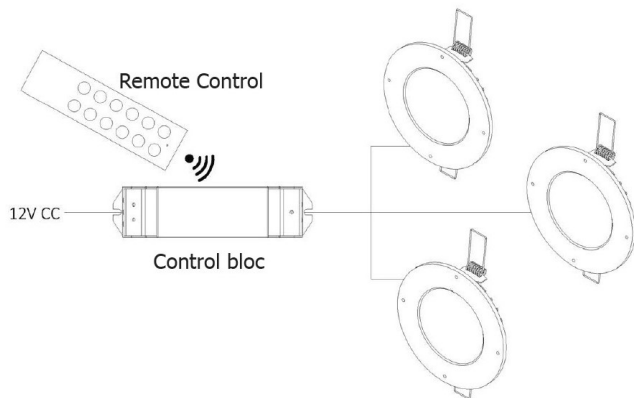
Client  Date  Qty   
Project  Type  PO#

# LS-ENC-12V-R-120MM

## Dimensions



## Installation





Client  Date  Qty   
 Project  Type  PO#

## LS-ENC-12V-R-120MM

### Finishes

LS-ENC-12V-S-120MM-FIN-BK



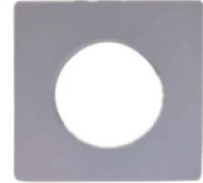
LS-ENC-12V-S-120MM-FIN-SI



LS-ENC-12V-S-120MM-FIN-BN



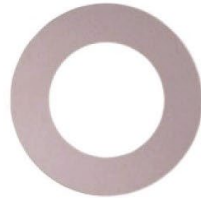
LS-ENC-12V-S-120MM-FIN-WH



LS-ENC-12V-R-120MM-FIN-BK



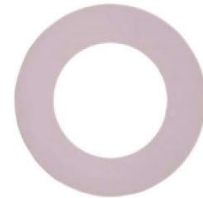
LS-ENC-12V-R-120MM-FIN-SI



LS-ENC-12V-R-120MM-FIN-BN



LS-ENC-12V-R-120MM-FIN-WH



### Order table

Model	IP protection	Power	Color temperature	Lumen	LED type	Input voltage	Beam angle
LS-ENC-12V-R-120MM-3K	IP20	8W	3000K	640LM	SMD	12V	60°
LS-ENC-12V-R-120MM-4K	IP20	8W	4000K	640LM	SMD	12V	60°
LS-ENC-12V-R-120MM-RGBW	IP20	8W	RGB+4000K	640LM	SMD	12V	60°