

INSTALLATION MANUAL LS-CON-SAFETY-SWITCH

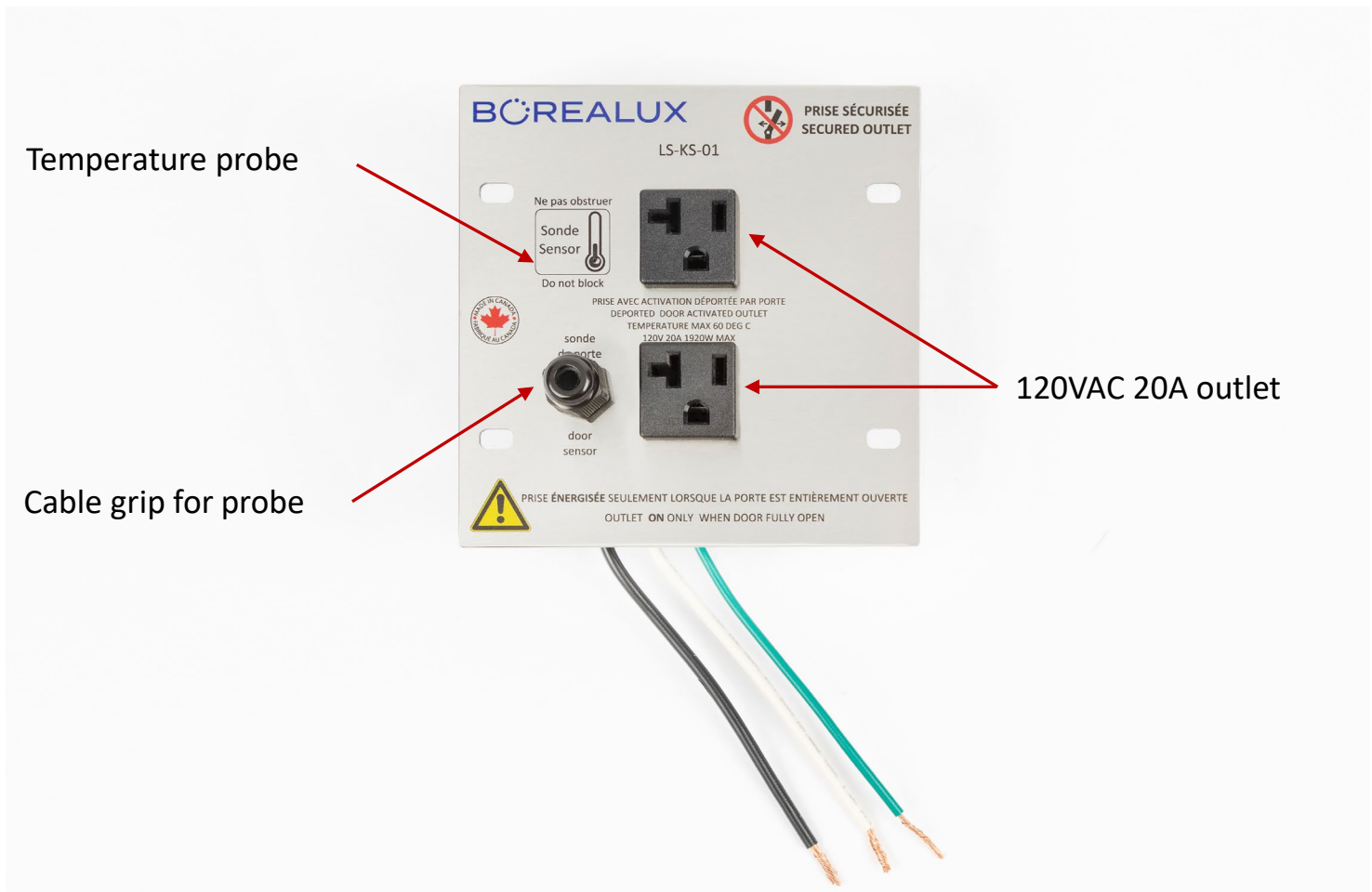


MAIN FACADE MODULE	2
REAR MAIN MODULE	3
TYPES OF PROBES	4
FLAP DOOR INSTALLATION	5
INSTALLATION FOR RETRACTOR DOOR	6
INSTALLATION FOR DRAWER	7
TROUBLE SHOOTING	8

MAIN FACADE MODULE



CAUTION: Be sure to turn off the power before installation.



Specifications:

Power Input: 120VAC 1920W

20A breaker protection

Use this type of box: 4"11/16 (IBERVILLE)

For indoor only

Leave the box protruding 5/8" from the wall

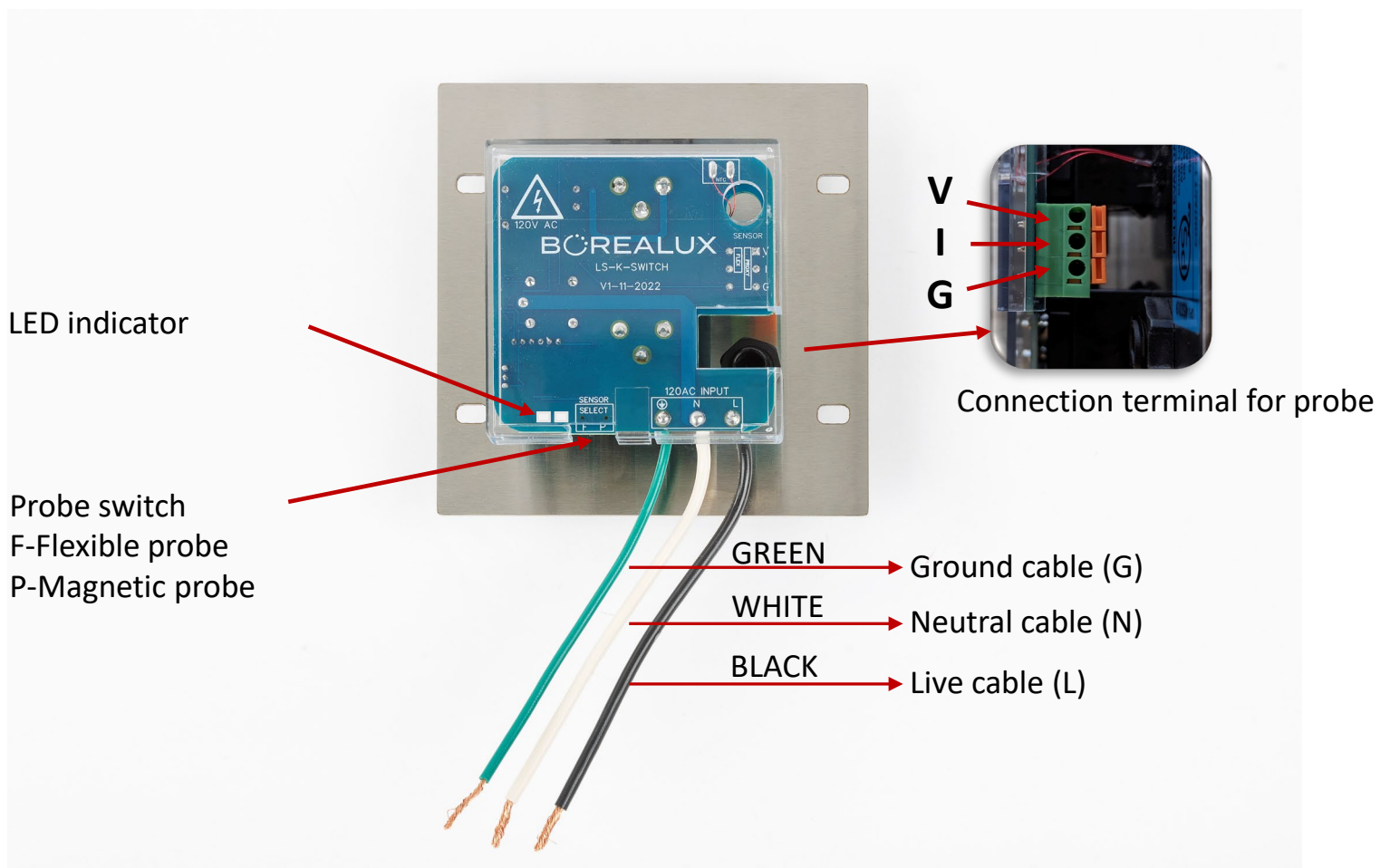


Boîte Iberville 4"11/16

REAR MAIN MODULE



CAUTION: Be sure to turn off the power before installation.



Specifications:

Power Input: 120VAC 1920W

20A breaker protection

Use this type of box: 4"11/16 (IBERVILLE)

For indoor only

Leave the box protruding 5/8" from the wall



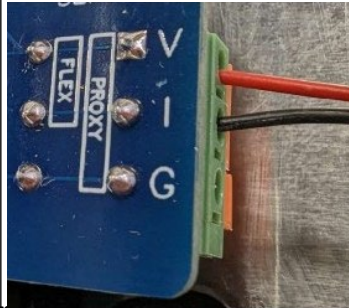
Boîte Iberville 4"11/16

PROBES TYPES

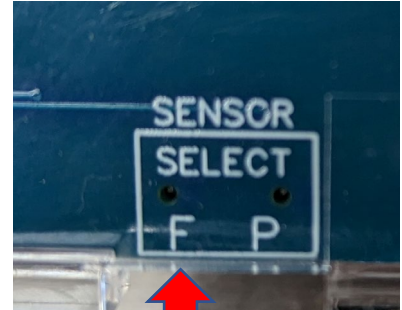
LS-CON-SAFETY-SWITCH-FS



Flexible type probe with 2-conductor cable of 44 inch.



Connexions

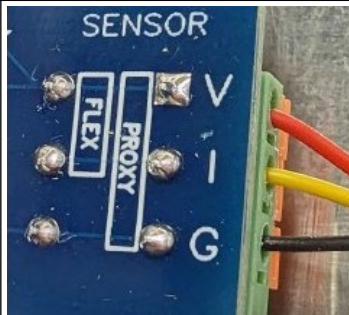


Switch to F position

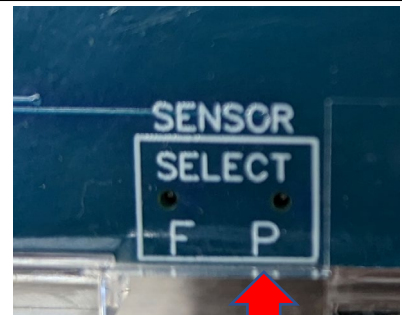
LS-CON-SAFETY-SWITCH-PS



Magnetic type probe with 3-conductor cable of 44 inch.



Connexions



Switch to P position

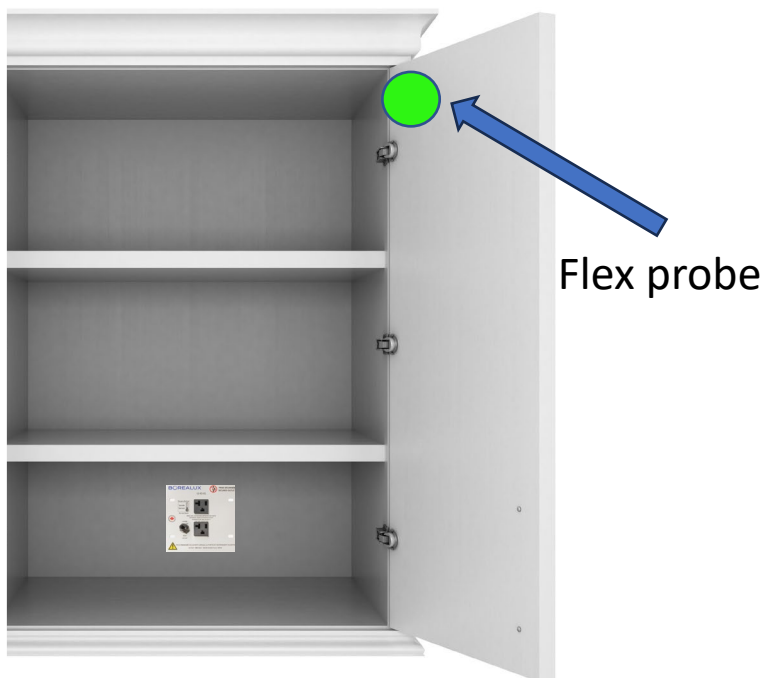
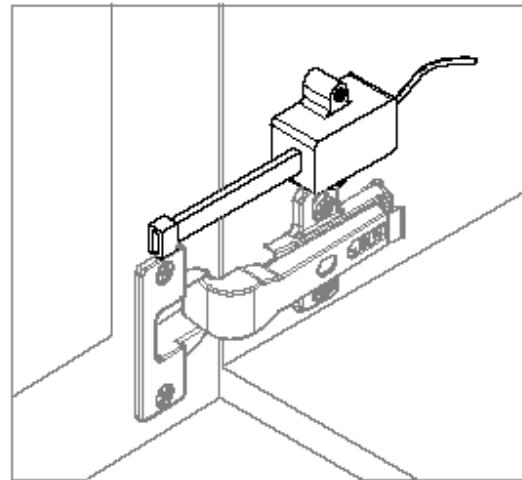
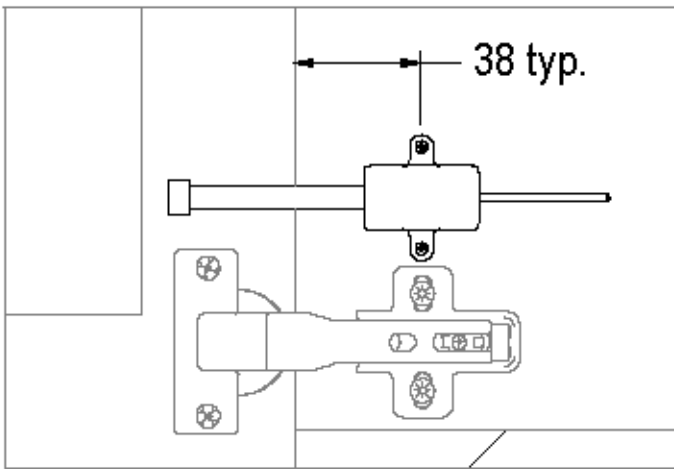
*****DON NOT EXTEND THE CABLE*****

Refer to the specific pages depending on the type of door or drawer to be monitored

- Use the mounting template provided for the flexible probe
- Must be installed by a certified electrician
- Use the screws supplied with the probe for installation
- Screw #4 - 1"1/4 for probe LS-CON-SAFETY-SWITCH-FS
- Screw #4 - 0,75" for probe LS-CON-SAFETY-SWITCH-PS
- Screw #6 - 0,75" for magnetic ring

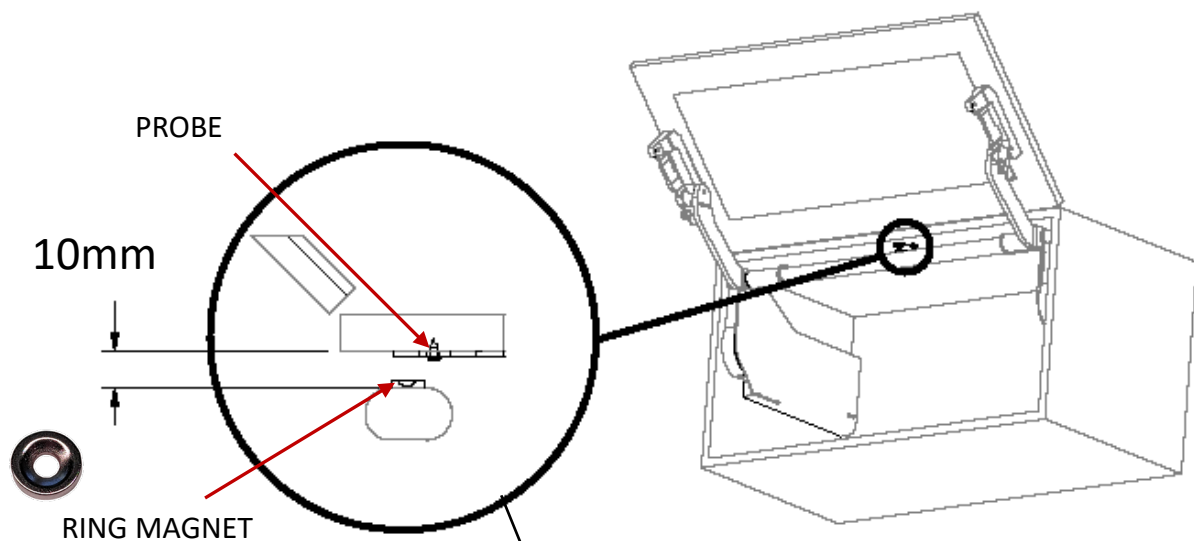
FLAP DOOR INSTALLATION

1. Determine the location of the probe LS-CON-SAFETY-SWITCH-FS. Ideally at the top for better discretion
2. Align the probe straight up with the detector facing forward.
3. Select the switch to position (F)



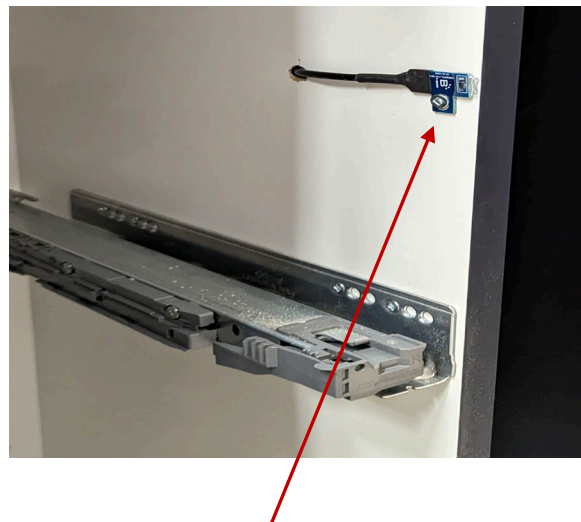
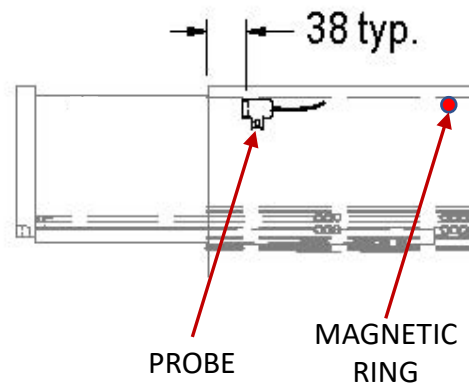
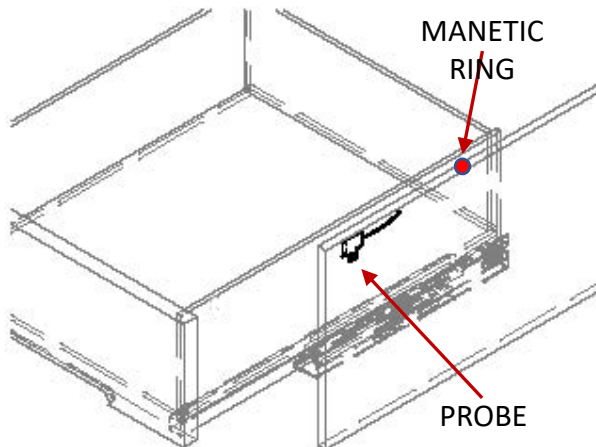
INSTALLATION FOR RETRACTOR DOOR

1. Determine the location for the probe LS-CON-SAFETY-SWITCH-PS.
2. Set the probe above the crossbar in the cabinet.
3. Set the magnet aligned with the probe to the crossbar. A blue indicator light will illuminate when the magnet is in line.
4. Select the switch to position (P).



DRAWER INSTALLATION

- 1 Determine the location of the probe LS-CON-SAFETY-SWITCH-PS.
- 2 Set the probe inside the box towards the top side of the drawer.
- 3 Set the magnet to the drawer when it is in the fully open position and align it with the probe. A blue indicator light will illuminate when the magnet is in line.
4. Select the switch to position (P).



Install in this direction.
Holes for screw down.

Trouble shooting

- Check if the device is powered on
- The green light indicates power is on
- See if the blue light flashes every 3 seconds to indicate proper operation
- Check all the connections
- Make sure the correct probe is selected on the device selector
- Make sure the blue light on the Proximity Probe illuminates when aligned with the magnet
- Make sure the flexible probe well adjusted on the door.
- Make sure the flexible probe is straight when the door is 100% open

Customer service: 1-888-540-4713
VI@BOREALUX.COM

