



Project Name : \_\_\_\_\_ Type : \_\_\_\_\_ Date : \_\_\_\_\_ Watt : \_\_\_\_\_

Notes : \_\_\_\_\_  
\_\_\_\_\_

### **Features :**

- ❑ 4 channel LED power repeater
- ❑ Work with every 5V to 24Vdc interface modules
- ❑ Work with PWM control protocol

### **Certifications :**

- ❑ In accord with certifications in effect in Canada and USA

### **Warranty :**

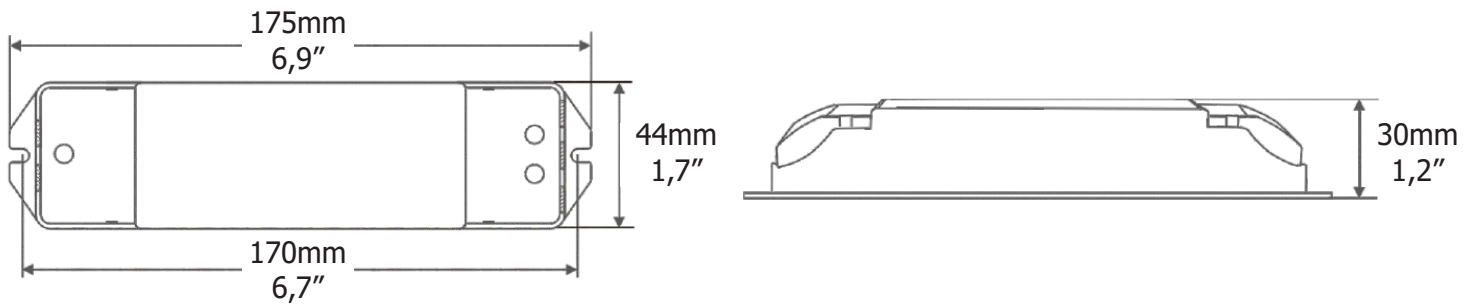
- ❑ The LS-CON-AMP-4S-5A has a 5 years warranty.

\*See our policy on our website  
[www.borealux.com](http://www.borealux.com)

**Purchase Options :**

| Product Code     | Input Voltage | Output Voltage | Watt / Channel | Watt Maximum | Amp     | Chan-nels | Metric Dimensions (L x l x h) | Imperial Dimensions (L x l x h) |
|------------------|---------------|----------------|----------------|--------------|---------|-----------|-------------------------------|---------------------------------|
| LS-CON-AMP-4S-5A | 5V~24V DC     | 12V~24V DC     | 0~120W x 4ch   | 480W         | 20A Max | 4         | See drawings*                 | See drawings*                   |

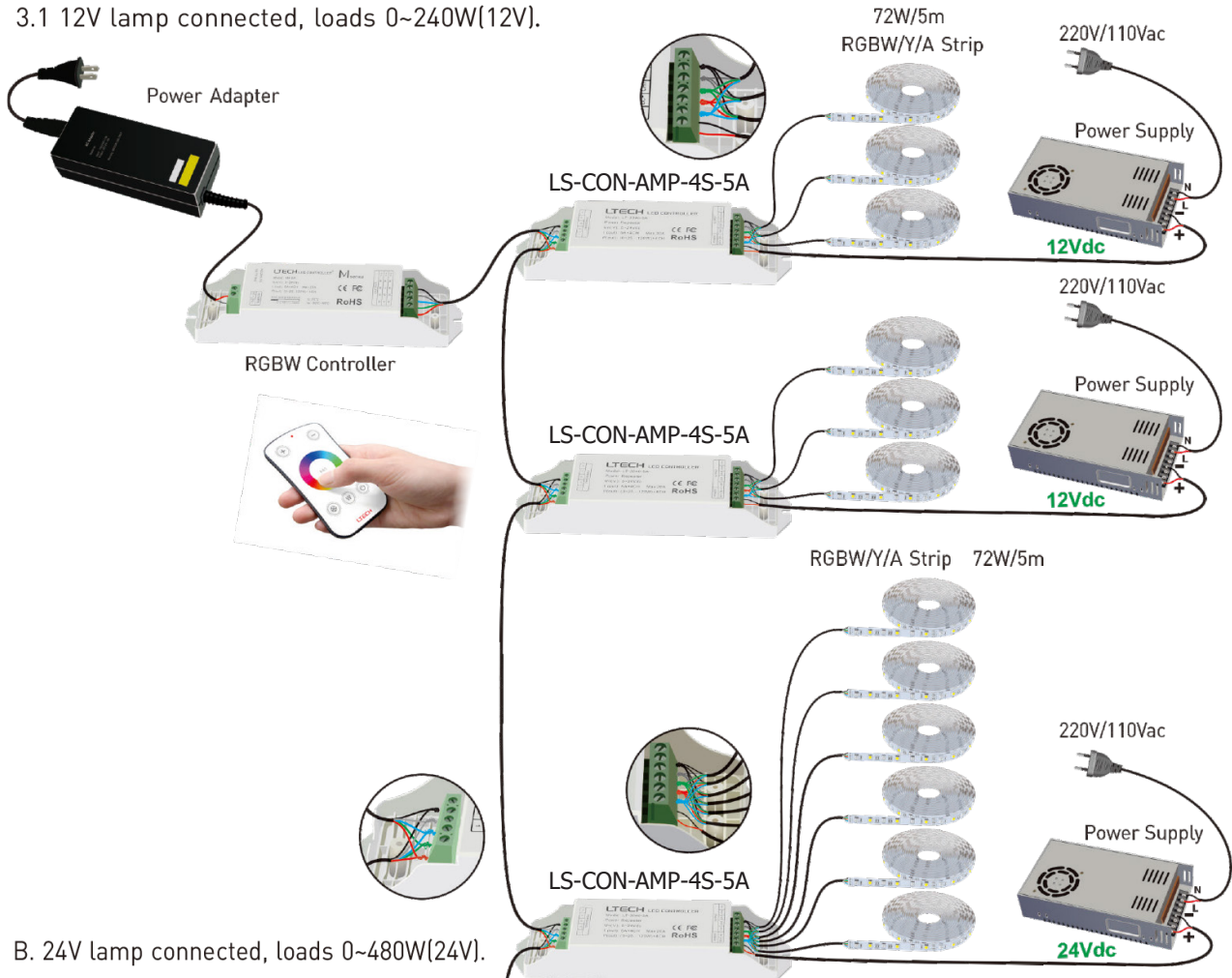
**Dimensions :**



**Installations :**



3.1 12V lamp connected, loads 0~240W(12V).



B. 24V lamp connected, loads 0~480W(24V).

