



Project Name : \_\_\_\_\_ Type : \_\_\_\_\_ Date : \_\_\_\_\_ Watt : \_\_\_\_\_

Notes : \_\_\_\_\_  
\_\_\_\_\_

### **Features :**

- ❑ Super filigree design
- ❑ Low power consumption between 25W and 40W
- ❑ Modular installation is possible by jointing fixture together
- ❑ CCT of 3000K, 4000K or 6000K available
- ❑ Beam angle of 120 degrees
- ❑ Standard offer in either non dimmable or 0-10V dimmable built in driver
- ❑ Finish in matt Black or White available

### **Certifications :**

- ❑ In accord with certifications in effect in Canada and USA

### **Warranty :**

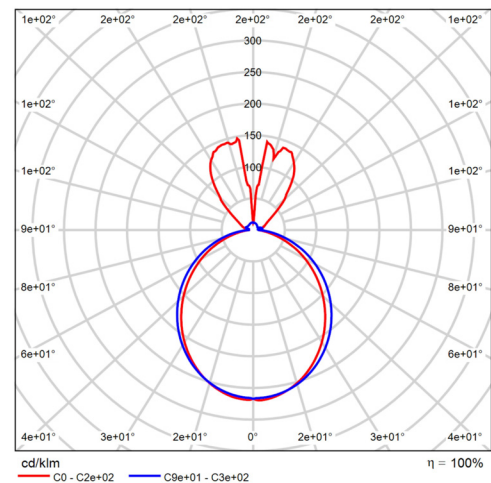
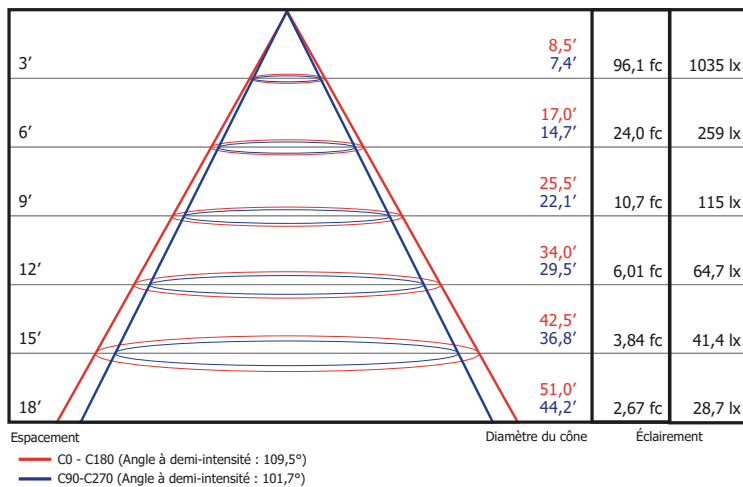
- ❑ The LS-COM-SUS-120V-277V-LIN-1.22M has a 5 years warranty

\*See our policy on our website  
[www.borealux.com](http://www.borealux.com)

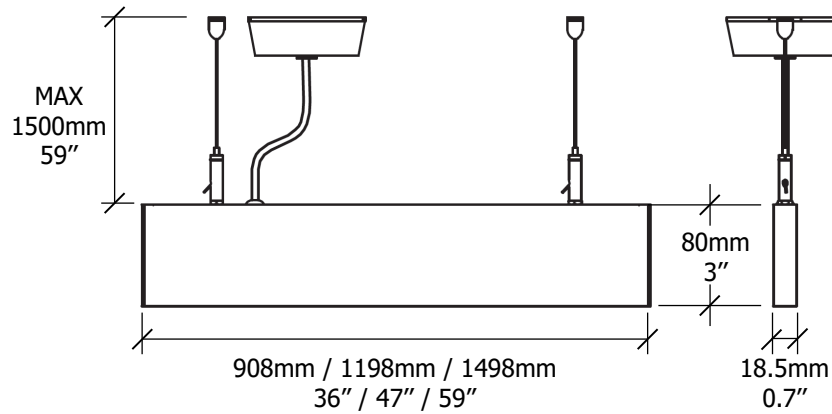
## Purchase Options :

Product #	Voltage	Watt	Lumen	CCT	Beam Angle	Metric Dimensions (L x l x h)	Imperial Dimensions (L x l x h)
LS-COM-SUS-120V-277V-LIN-1.22M-3K-D-2000LM-XX	120V-277V	25W	2000 lm	3000K	120°	See drawings*	See drawings*
LS-COM-SUS-120V-277V-LIN-1.22M-3K-D-2400LM-XX	120V-277V	30W	2400 lm	3000K	120°	See drawings*	See drawings*
LS-COM-SUS-120V-277V-LIN-1.22M-3K-D-2720LM-XX	120V-277V	34W	2720 lm	3000K	120°	See drawings*	See drawings*
LS-COM-SUS-120V-277V-LIN-1.22M-3K-D-3200LM-XX	120V-277V	40W	3200 lm	3000K	120°	See drawings*	See drawings*
LS-COM-SUS-120V-277V-LIN-1.22M-4K-D-2000LM-XX	120V-277V	25W	2000 lm	4000K	120°	See drawings*	See drawings*
LS-COM-SUS-120V-277V-LIN-1.22M-4K-D-2400LM-XX	120V-277V	30W	2400 lm	4000K	120°	See drawings*	See drawings*
LS-COM-SUS-120V-277V-LIN-1.22M-4K-D-2720LM-XX	120V-277V	34W	2720 lm	4000K	120°	See drawings*	See drawings*
LS-COM-SUS-120V-277V-LIN-1.22M-4K-D-3200LM-XX	120V-277V	40W	3200 lm	4000K	120°	See drawings*	See drawings*
LS-COM-SUS-120V-277V-LIN-1.22M-6K-D-2000LM-XX	120V-277V	25W	2000 lm	6000K	120°	See drawings*	See drawings*
LS-COM-SUS-120V-277V-LIN-1.22M-6K-D-2400LM-XX	120V-277V	30W	2400 lm	6000K	120°	See drawings*	See drawings*
LS-COM-SUS-120V-277V-LIN-1.22M-6K-D-2720LM-XX	120V-277V	34W	2720 lm	6000K	120°	See drawings*	See drawings*
LS-COM-SUS-120V-277V-LIN-1.22M-6K-D-3200LM-XX	120V-277V	40W	3200 lm	6000K	120°	See drawings*	See drawings*
LS-COM-SUS-120V-277V-LIN-1.22M-6K-D-3200LM-XX	120V-277V	40W	3200 lm	6000K	120°	See drawings*	See drawings*

## Photometric Diagrams :



**Dimensions :**



**Installation and Jonction :**

