



Client Date
Project Type PO#

LS-ARCH-EXT-24V-R-58MM



Description

- **Inground IP67 architectural projector**
- **Aluminium conception**
- **Power consumption 3W, 4W(RGBW)**
- **CCT: 2700K,3000K,3500K,4000K,5000K or RGBW**
- **Black or silver finish**
- **Input voltage of 12V/24V**
- **Control with DMX512 interface**

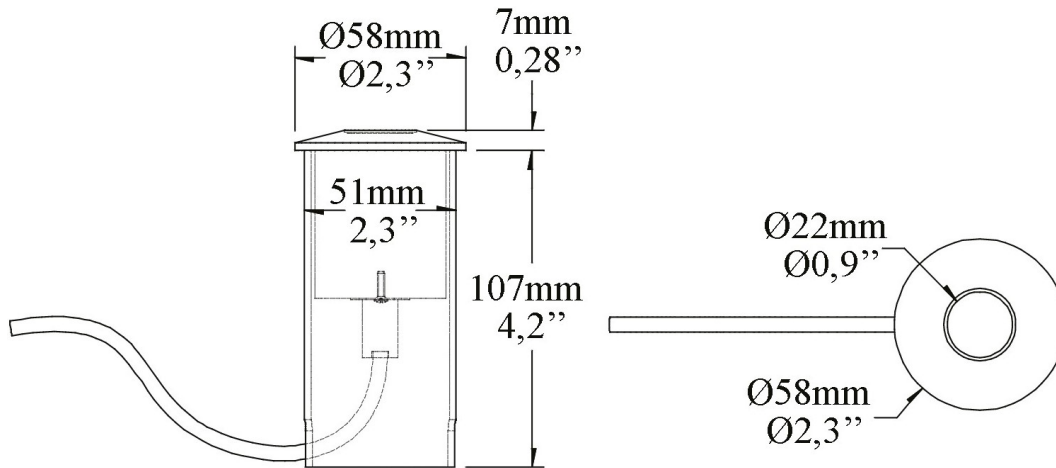




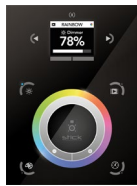
Client Date Qty
 Project Type PO#

LS-ARCH-EXT-24V-R-58MM

Dimensions



Installation



DMX



$12\text{V}/24\text{V}$



DMX512 controller

Order table

Model	Protection	Power	CCT	LED QTY	Voltage	Beam angle	Dimensions
LS-ARCH-EXT-24V-R-58MM-2.7K	IP67	3W	2700K	3	24V	10,15,20,45°	See drawing
LS-ARCH-EXT-24V-R-58MM-3K	IP67	3W	3000K	3	24V	10,15,20,45°	See drawing
LS-ARCH-EXT-24V-R-58MM-3.5K	IP67	3W	3500K	3	24V	10,15,20,45°	See drawing
LS-ARCH-EXT-24V-R-58MM-4K	IP67	3W	4000K	3	24V	10,15,20,45°	See drawing
LS-ARCH-EXT-24V-R-58MM-5K	IP67	3W	5000K	3	24V	10,15,20,45°	See drawing
LS-ARCH-EXT-24V-R-58MM-RGBW	IP67	4W	RGBW	4	24V	10,15,20,45°	See drawing