



Client

Date

Qty

Project

Type

PO#

LS-ARCH-EXT-120V.240V-R



Description

- Alluminium assembly
- Round shape
- Multiple adjustment
- 120VAC-240VAC
- Power of 20W, 40W & 45W
- CCT choices: 2700K, 3000K, 3500K, 4000K, 5000K or RGBW
- DMX512
- Beam angle from 5° to 60°, 10°x10°
- Sharp beam
- Protection IP66





Client

Date

Qty

Project

Type

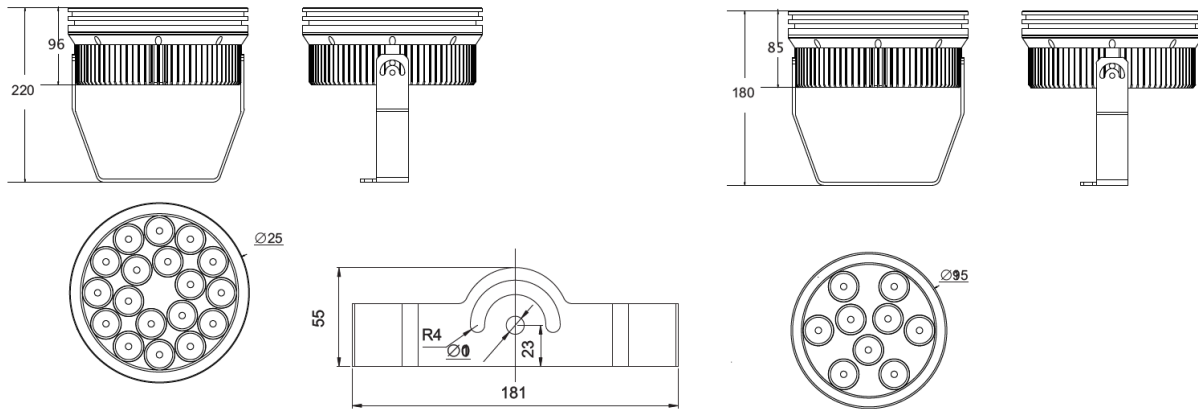
PO#

LS-ARCH-EXT-120V.240V-R

| Model | Protection | Power | CCT | Lumens | LED QTY | Input voltage | Beam angle | Dimensions |
|--|------------|-------|-------|--------|---------|---------------|--------------------|-------------|
| LS-ARCH-EXT-120V.240V-R-195MM-20W-2.7K | IP66 | 20W | 2700K | 3077 | 9 | 120V/240V | 5° to 60°, 10°x10° | See drawing |
| LS-ARCH-EXT-120V.240V-R-195MM-20W-3K | IP66 | 20W | 3000K | 3077 | 9 | 120V/240V | 5° to 60°, 10°x10° | See drawing |
| LS-ARCH-EXT-120V.240V-R-195MM-20W-3.5K | IP66 | 20W | 3500K | 3077 | 9 | 120V/240V | 5° to 60°, 10°x10° | See drawing |
| LS-ARCH-EXT-120V.240V-R-195MM-20W-4K | IP66 | 20W | 4000K | 3077 | 9 | 120V/240V | 5° to 60°, 10°x10° | See drawing |
| LS-ARCH-EXT-120V.240V-R-195MM-20W-5K | IP66 | 20W | 5000K | 3077 | 9 | 120V/240V | 5° to 60°, 10°x10° | See drawing |
| LS-ARCH-EXT-120V.240V-R-195MM-20W-RGBW | IP66 | 20W | RGBW | 1740 | 9 | 120V/240V | 5° to 60°, 10°x10° | See drawing |

| Model | Protection | Power | CCT | Lumens | LED QTY | Voltage | Beam angle | Dimensions |
|--|------------|-------|-------|--------|---------|-----------|--------------------|-------------|
| LS-ARCH-EXT-120V.240V-R-225MM-40W-2.7K | IP66 | 40W | 2700K | 5518 | 18 | 120V/240V | 5° to 60°, 10°x10° | See drawing |
| LS-ARCH-EXT-120V.240V-R-225MM-40W-3K | IP66 | 40W | 3000K | 5518 | 18 | 120V/240V | 5° to 60°, 10°x10° | See drawing |
| LS-ARCH-EXT-120V.240V-R-225MM-40W-3.5K | IP66 | 40W | 3500K | 5518 | 18 | 120V/240V | 5° to 60°, 10°x10° | See drawing |
| LS-ARCH-EXT-120V.240V-R-225MM-40W-4K | IP66 | 40W | 4000K | 5518 | 18 | 120V/240V | 5° to 60°, 10°x10° | See drawing |
| LS-ARCH-EXT-120V.240V-R-225MM-40W-5K | IP66 | 40W | 5000K | 5518 | 18 | 120V/240V | 5° to 60°, 10°x10° | See drawing |
| LS-ARCH-EXT-120V.240V-R-225MM-45W-RGBW | IP66 | 45W | RGBW | 2464 | 18 | 120V/240V | 5° to 60°, 10°x10° | See drawing |

Dimensions



Installation



DMX 512 CONTROLLER



RGBW SPOTS