



Client  Date  Qty   
Project  Type  PO#

## LS-ARCH-EXT-12V-24V-R-40MM



### Description

- **Small IP65 architectural projector**
- **Aluminium conception**
- **Power consumption 3W, 4W(RGBW)**
- **CCT: 2700K,3000K,3500K,4000K,5000K or RGBW**
- **Black or silver finish**
- **Input voltage of 12V/24V**
- **Control with DMX512 interface**

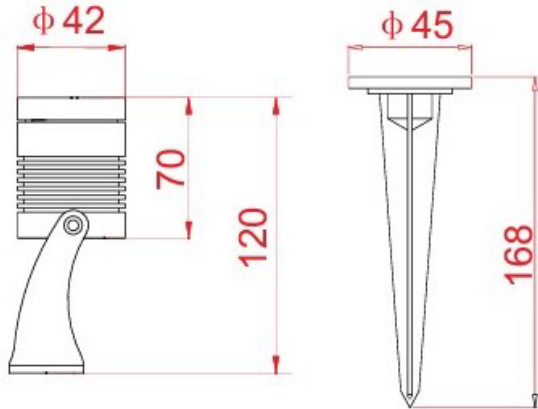




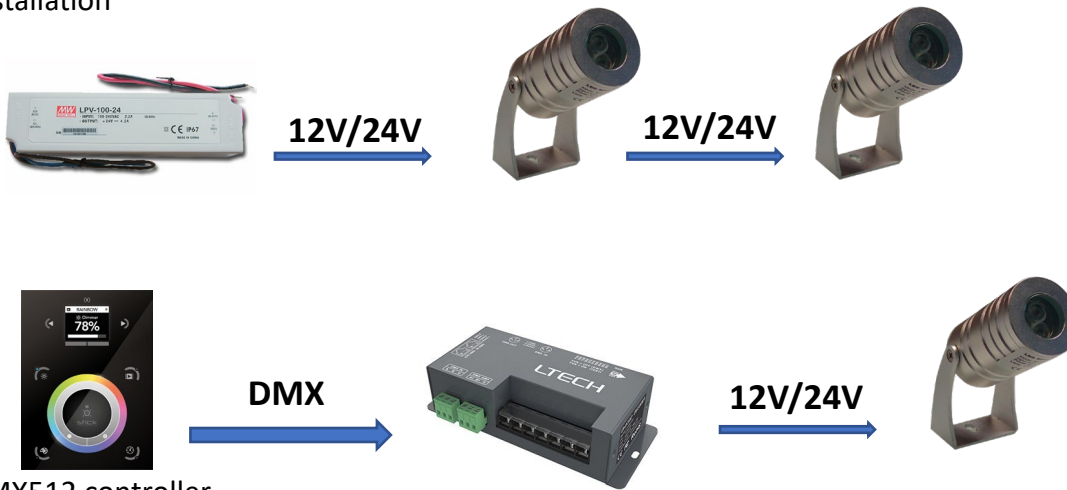
Client  Date  Qty   
 Project  Type  PO#

## LS-ARCH-EXT-12V-24V-R-40MM

### Dimensions



### Installation



DMX512 controller

### Order table

Model	Protection	Power	CCT	LED QTY	Voltage	Beam angle	Dimensions
LS-ARCH-EXT-12V-24V-R-40MM-2.7K	IP65	3W	2700K	3	12V/24V	10,15,20,45°	See drawing
LS-ARCH-EXT-12V-24V-R-40MM-3K	IP65	3W	3000K	3	12V/24V	10,15,20,45°	See drawing
LS-ARCH-EXT-12V-24V-R-40MM-3.5K	IP65	3W	3500K	3	12V/24V	10,15,20,45°	See drawing
LS-ARCH-EXT-12V-24V-R-40MM-4K	IP65	3W	4000K	3	12V/24V	10,15,20,45°	See drawing
LS-ARCH-EXT-12V-24V-R-40MM-5K	IP65	3W	5000K	3	12V/24V	10,15,20,45°	See drawing
LS-ARCH-EXT-12V-24V-R-40MM-RGBW	IP65	4W	RGBW	4	12V/24V	10,15,20,45°	See drawing